

# Elbrus WNEL-17 CCP



## STANDARD FEATURES

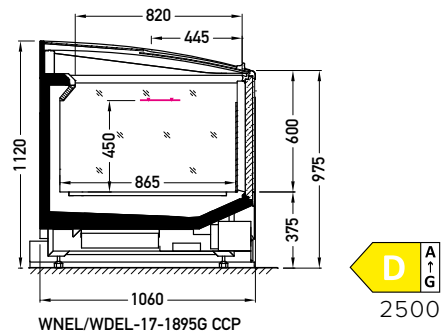
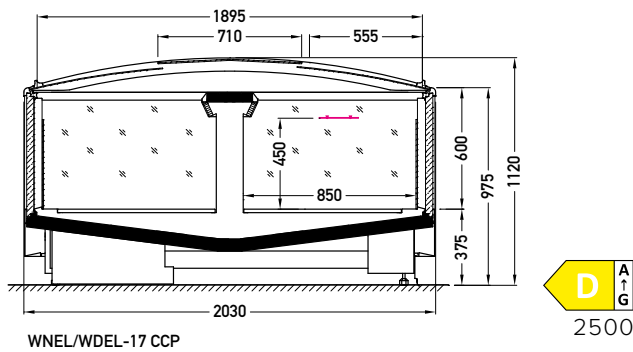
- working temperature: from -25°C to -21°C
- refrigerant: R290
- electrical defrosting
- automatic evaporation of condensate
- electronic controller with temperature indicator
- exposition: zinc-plated steel, powder coated in white (RAL 9003)
- thermopane glass (4 side glass)
- color of the base black (RAL 9005)

## OPTIONS

- sidewalls
- LEDit lighting

Elbrus WNEL-17 2500 CCP + 1895G CCP

CCP — cover | single, curved | sliding (slide-up/push)



## AVAILABLE MODULES

2500 3750  
1895G