



PLUG-IN & REMOTE
COLLECTION

COOL EQUIPMENT
WARM RELATIONS



REMOTE

Multidecks

Gerlach 2.0 RDGH-H2/H3/H4	8
Gerlach 2.0 RDGH-L2/L3/L4	10
Iberg 2.0 RDIG-H1/H2/H4	12
Iberg 2.0 RDIG-H1/H2	13
Iberg 2.0 RDIG-L1/L2/L3	14
Iberg 2.0 RDIG-L1/L2	15
Kaukaz RDKA-11	16

Semi Vertical Multidecks

Andy RDAD-N5	20
Andy RDAN-29	21
Andy RDAN-31	22
Andy RDAN-37	23

Islands

Everest WNEV-06	26
Everest WNEV-17	27
Everest WNEV-27	28
Idea WNIE-04	29
Idea WNIE-05	30

Cabinets

Glacier SNGL-H/L	34
------------------	----

Counters

Grazia LDGR-08	38
Grazia LDGR-09	39
Grazia LDGR-28	40
Grazia LDGR-29	41
Grazia LDGR-30	42
Lhotse LDLH-12	43
Lhotse LDLH-36	44
Lhotse LDLH-37	45
Lhotse LDLH-46	46
Lhotse LDLH-47	47

HOT CASES

Counters

Grazia LGGR-28	50
Lhotse LGLH-37	51

PLUG-IN

Multidecks

Kaukaz RDKA-11	56
Medium RDME-10	57
Medium RDME-16	58
Medium RDME-21	59
Medium RDME-22	60
Garmo RDGA-L4	61
Garmo RDGA-L5	62

Semi Vertical Multidecks

Atlanta RDAT-10	66
Atlanta RDAL-N5	67
Atlanta RDAT-20	68
Atlanta RDAT-30	69

Islands

Pamir WNPR-04	72
Pamir WDPR-04	73
Pamir WNPA-09	74
Pamir WNPA-10	75
Pamir WNPA-15	76
Imja WNIJ-05	77
Imja WNIJ-06	78
Imja WNIJ-07	79
Imja WNIJ-14	80
Dolomiti WMDO-03	81
Elbrus WNEL-17	82
Elbrus WNEL-27	83

Cabinets

Wetar SNWE-02	86
Wetar SNWE-04	87
Denali SNDE-04/05	88
Glacier SNGL-L	89

Promotion

Fiji LDFI-13	92
Fiji LDFI-14	93
Fiji LDFI-22	94
Fiji LDFI-25	95
Fiji LDFI-28	96
Fiji LDFI-29	97
Fiji LDFI-30/31/32	98

Pastery Line

Elegant RDEL-05	102
Elegant RDEL-06	103
Elegant RDEL-21	104
Elegant RDEL-22	105
Etna RDET-21	106

Counters

Grazia LDGR-08	110
Grazia LDGR-09	111
Grazia LDGR-28	112
Grazia LDGR-29	113
Lingtren LDLI-37	114

D – cooling, fan-assisted unit
 N – freezing, fan-assisted unit
 M – freezing, static unit

two letters
 of the product name

Gerlach 2.0 **RDGH** - **H2** - [module]

name of the product
 range

L – counter
 R – multideck
 W – island
 S – cabinet
 M – mix cabinet

identifies
 the model

module length,
 head (crown section)
 or corner

GGG	glazing type	glass type	opening type
BCA	low glass or front glass riser	single, bent	fixed
BSA	low glass or front glass riser	single, straight	fixed
BDA	front glass riser	double, straight	fixed
CCP	cover	single, curved	sliding (slide-up/push)
CCS	cover	single, curved	sliding (sideways)
CSS	cover	single, straight	sliding (sideways)
DBS	door	double, bent	sliding (sideways)
DDS	door	double, straight	sliding (sideways)
DVO	door	double, straight (High Vision)	hinged
DTO	door	triple, straight	hinged

GGG	glazing type	glass type	opening type
GCL	glass	single, bent	lift up
GSD	glass	single, straight	divided
GSL	glass	single, straight	lift up
GST	glass	single, straight	tilt
GBT	glass	double, bent	tilt
GDT	glass	double, straight	tilt
XXX		no glazing	

- ...-G... – Head (crown section)
- ...-NW... – Inside corner
- ...-NZ... – Outside corner



About us

Many years of experience, state-of-the-art production plant and great location are the few of many factors that contribute to JBG-2's success. Hundreds of satisfied customers around the world especially appreciate our creative approach, flexibility and commitment to the successful completion of every project.

Since the very beginning of our activities in 1989 ecology has been our main concern, both at the stage of the production itself and at the subsequent effect of our products on the environment.

For the sake of quality, we carry out tests in our certified laboratories that meet the requirements of ISO 23953-2:2015. Quality management is based on the ISO 9001:2015 standard.

We are not only manufacturer of refrigeration equipment. Based on many years of experience we created new brand named JBGPV. It is a production of photovoltaic modules, which fits perfectly into the company's portfolio and it makes it even more effective and ecological.

Our team is always ready to go the extra mile to make the cooperation with us successful, satisfying and sustainable.

For over 20 years of our activities, JBG-2 has been awarded with prestigious honor on numerous occasions, for dynamic growth in the refrigeration equipment market.

The NO Defrost system has been valued by the RAC Cooling Awards. We managed to achieve the final stage in 2016 and 2018 in this prestigious competition. Furthermore the energy-efficient solutions have been qualified to the TOP TEN program. In addition, the effort put into improving our devices meant that they got to the prestigious Energy Technology List.

Awards

HIGHLY COMMENDED



This is the jury's distinction in the RAC Cooling Awards final for a device awarded with a high recommendation as a product containing many „best-in-class” solutions.



Our equipment Garmo RDGA-L4-2500, Pamir WDPA-01-1530 and WNPA-01-1530 eco version have been classified to governmental project in Switzerland and Austria. Clients from those countries who will buy devices from Top Ten List can apply for the partial refund of purchase this government program.



On behalf of the UK government Carbon Trust is managed the list of Energy-saving devices (The Energy Technology List). It publishes the devices which have been qualified to promotion of energy efficiency programme (Enhanced Capital Allowance scheme). This programme allows for the tax breaks in connection with using so-called green technology.







REMOTE



Multidecks

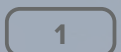
REMOTE

Our desire for continuous improvement and innovation has led us to develop systems and solutions that reduce environmental impact. That is why we have developed a system that eliminates defrost cycle and lowers the energy use.

**Designed for natural
(hydrocarbons) refrigerants**



**GLOBAL WARMING
POTENTIAL (AR4)**



REMOTE → MULTIDECKS

Gerlach 2.0 RDGH-H2/H3/H4 DVO



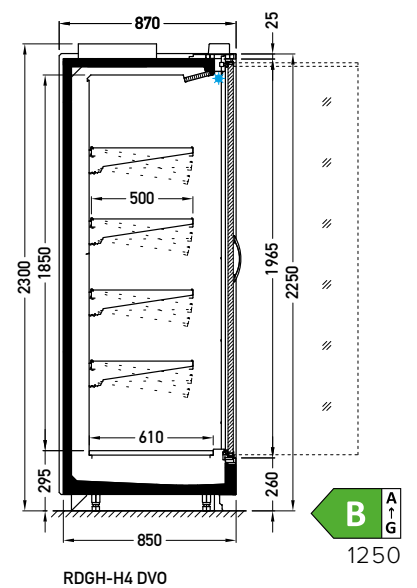
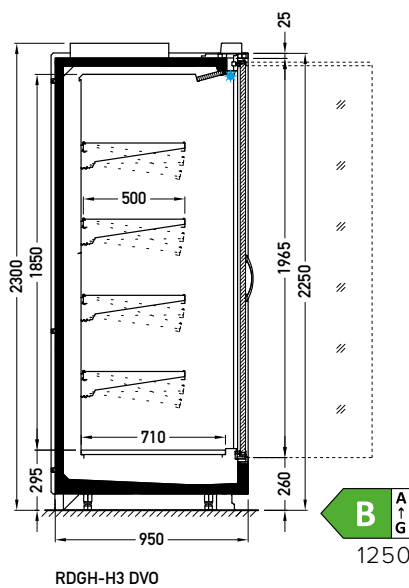
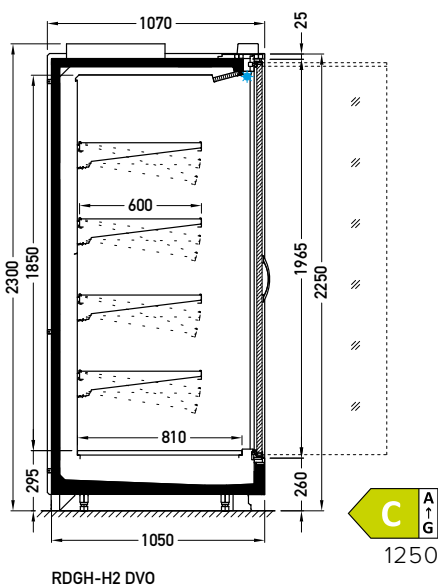
STANDARD FEATURES

- working temperature: from 0°C to 2°C
- refrigerant: R744
- natural defrosting
- 2 x NTC temperature probe
- siphoned condensate drains
- exposition: zinc-plated steel, powder coated in white (RAL 9003)
- 4 rows of suspended shelves, on shelves and on air inlet price holders 39 mm
- lighting: top, LEDit, color NW-4
- color of the base – black (RAL 9005)
- grey PVC bumper on the front of the unit

OPTIONS

- electronic expansion valve
- sidewalls

Gerlach 2.0 RDGH-H2 2500 DVO



AVAILABLE MODULES

1250 1875 2150 2500 3750

Gerlach 2.0 RDGH-H2/H3/H4 XXX

STANDARD FEATURES

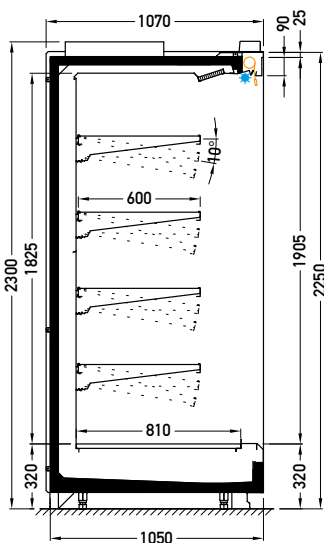
- working temperature: from 0°C to 2°C
- refrigerant: R744
- natural defrosting
- 2 x NTC temperature probe
- siphoned condensate drains
- exposition: zinc-plated steel, powder coated in white (RAL 9003)
- 4 rows of suspended shelves, on shelves and on air inlet price holders 39 mm
- lighting: top, LEDit, color NW-4
- color of the base – black (RAL 9005)
- grey PVC bumper on the front of the unit
- mechanical night blind

OPTIONS

- electronic expansion valve
- sidewalls

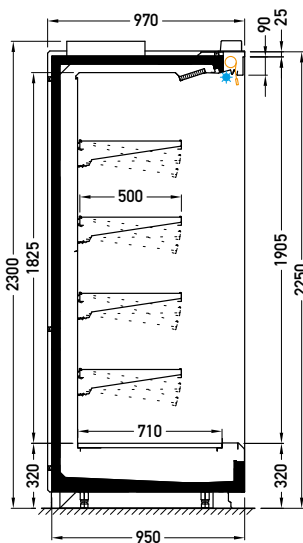


Gerlach 2.0 RDGH-H2 2500 XXX



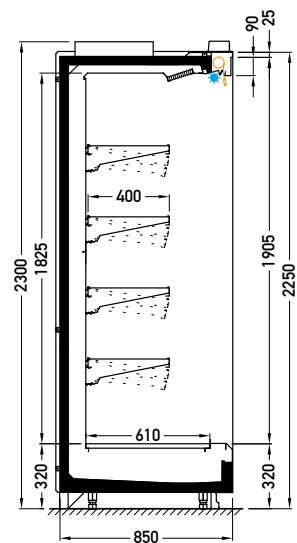
RDGH-H2 XXX

E A
↑ G
2500



RDGH-H3 XXX

E A
↑ G
2500



RDGH-H4 XXX

E A
↑ G
2500

AVAILABLE MODULES

1250 1875 2150 2500 3750

Gerlach 2.0 RDGH-L2/L3/L4 DVO



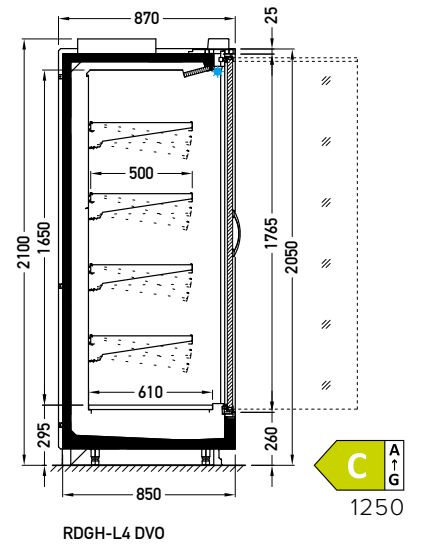
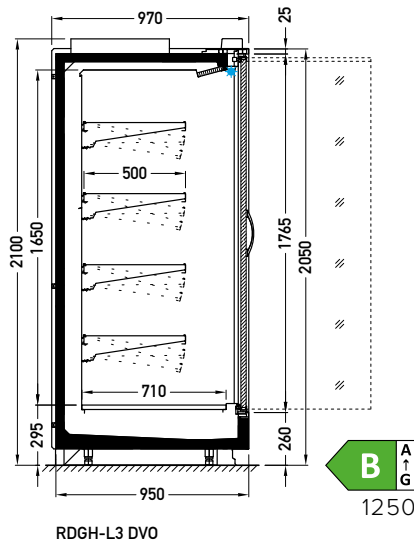
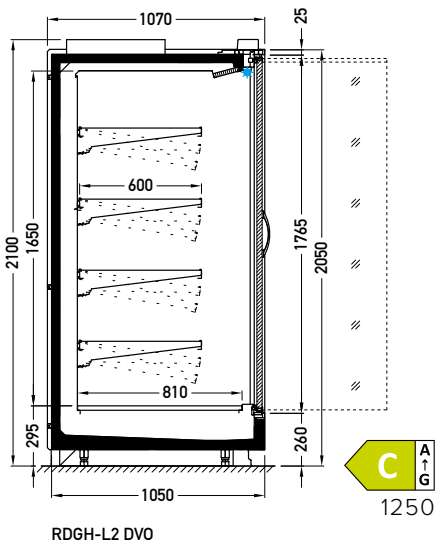
STANDARD FEATURES

- working temperature: from 0°C to 2°C
- refrigerant: R744
- natural defrosting
- 2 x NTC temperature probe
- siphoned condensate drains
- exposition: zinc-plated steel, powder coated in white (RAL 9003)
- 4 rows of suspended shelves, on shelves and on air inlet price holders 39 mm
- lighting: top, LEDit, color NW-4
- color of the base – black (RAL 9005)
- grey PVC bumper on the front of the unit

OPTIONS

- electronic expansion valve
- sidewalls

Gerlach 2.0 RDGH-L2 2500 DVO



AVAILABLE MODULES

1250 1875 2150 2500 3750

REMOTE → MULTIDECKS

Gerlach 2.0 RDGH-L2/L3/L4 XXX



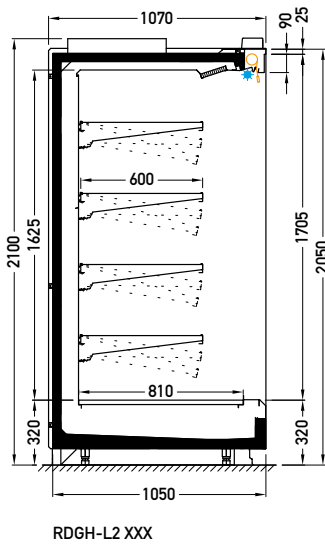
STANDARD FEATURES

- working temperature: from 0°C to 2°C
- refrigerant: R744
- natural defrosting
- 2 x NTC temperature probe
- siphoned condensate drains
- exposition: zinc-plated steel, powder coated in white (RAL 9003)
- 4 rows of suspended shelves, on shelves and on air inlet price holders 39 mm
- lighting: top, LEDit, color NW-4
- color of the base – black (RAL 9005)
- grey PVC bumper on the front of the unit
- mechanical night blind

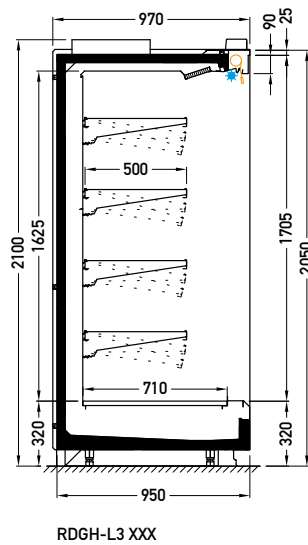
OPTIONS

- electronic expansion valve
- sidewalls

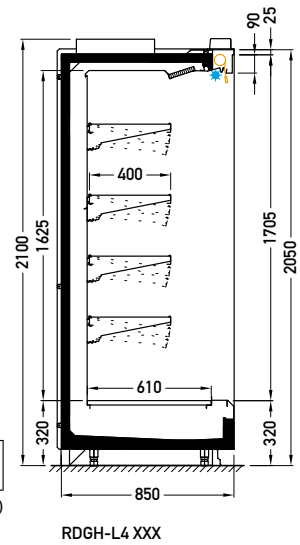
Gerlach 2.0 RDGH-L2 2500 XXX



E
A
G
1250



E
A
G
1250



E
A
G
1250

AVAILABLE MODULES

1250 1875 2150 2500 3750

Iberg 2.0 RDIG-H1/H2/H4 DVO



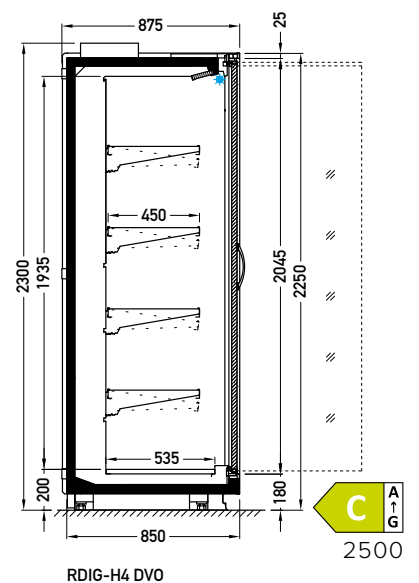
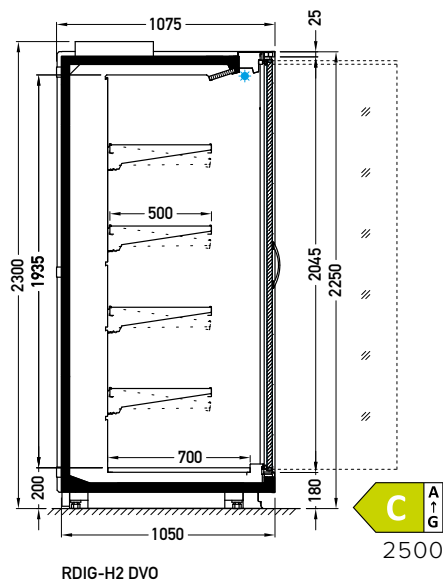
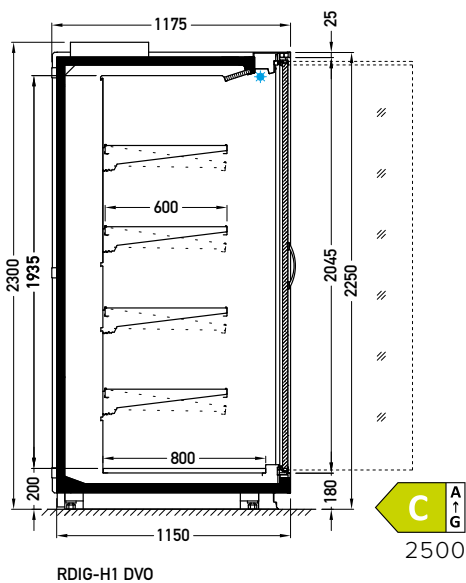
STANDARD FEATURES

- working temperature: from 0°C to 2°C
- refrigerant: R744
- natural defrosting
- 2 x NTC temperature probe
- siphoned condensate drains
- exposition: zinc-plated steel, powder coated in white (RAL 9003)
- 4 rows of suspended shelves, on shelves and on air inlet price holders 39 mm
- lighting: top, LEDit, NW-4
- color of the base – black (RAL 9005)
- grey PVC bumper on the front of the unit

OPTIONS

- electronic expansion valve
- sidewalls

Iberg 2.0 RDIG-H2 2500 DVO



AVAILABLE MODULES

1250 1875 2150 2500 3750

Iberg 2.0 RDIG-H1/H2 BDA



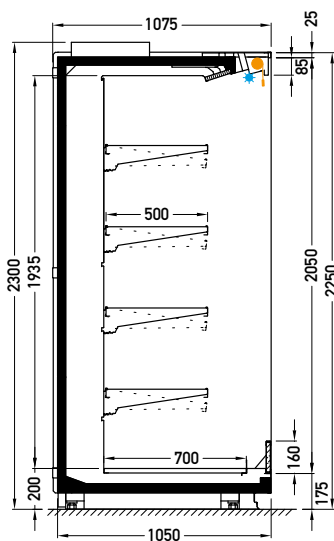
STANDARD FEATURES

- working temperature: from 0°C to 2°C
- refrigerant: R744
- natural defrosting
- 2 x NTC temperature probe
- siphoned condensate drains
- exposition: zinc-plated steel, powder coated in white (RAL 9003)
- 4 rows of suspended shelves, on shelves and on air inlet price holders 39 mm
- lighting: top, LEDit, NW-4
- color of the base – black (RAL 9005)
- grey PVC bumper on the front of the unit
- mechanical night blind

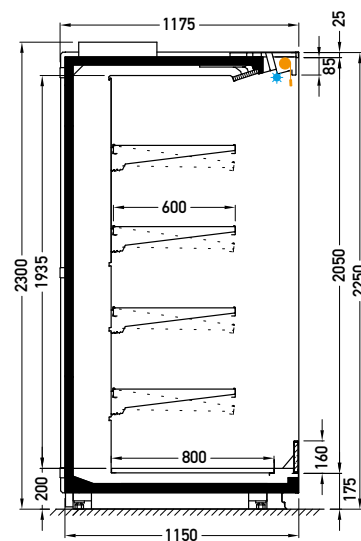
OPTIONS

- electronic expansion valve
- sidewalls

Iberg 2.0 RDIG-H2 2500 BDA



RDIG-H2 BDA



RDIG-H1 BDA

AVAILABLE MODULES

H1
H2

1250 1875 2150 2500 3750
2500 3750

Iberg 2.0 RDIG-L1/L2/L3 DVO



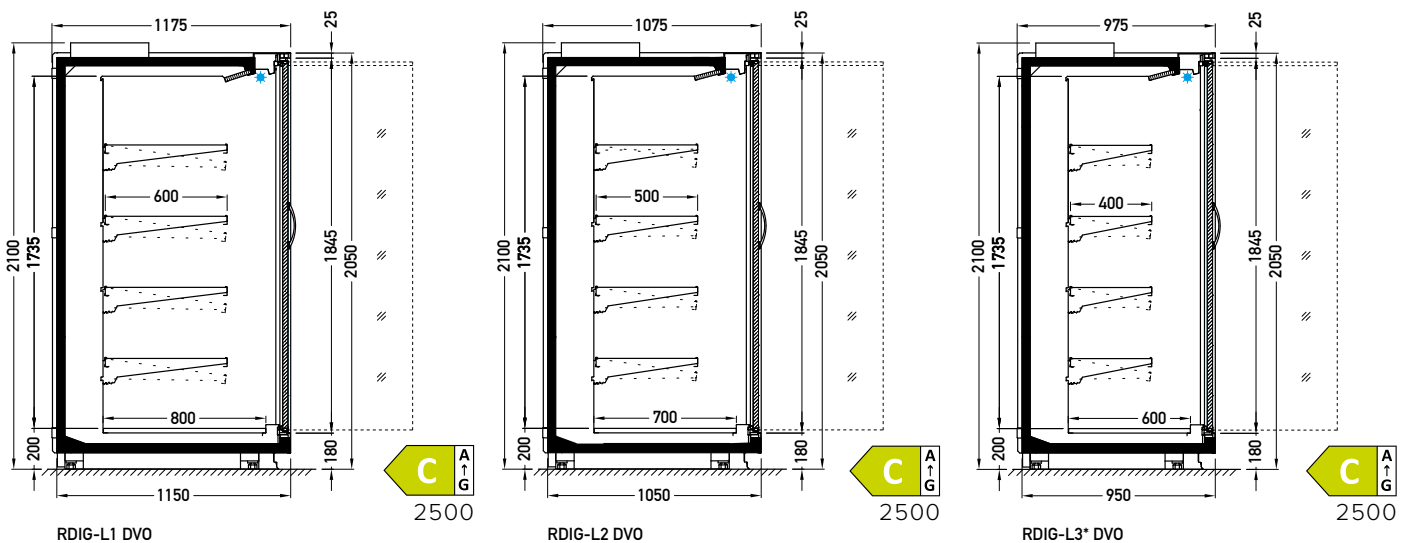
STANDARD FEATURES

- working temperature: from 0°C to 2°C
- refrigerant: R744
- natural defrosting
- 2 x NTC temperature probe
- siphoned condensate drains
- exposition: zinc-plated steel, powder coated in white (RAL 9003)
- 4 rows of suspended shelves, on shelves and on air inlet price holders 39 mm
- lighting: top, LEDit, NW-4
- color of the base – black (RAL 9005)
- grey PVC bumper on the front of the unit

OPTIONS

- electronic expansion valve
- sidewalls

Iberg 2.0 RDIG-L1 2500 DVO



AVAILABLE MODULES

2500 3750

Iberg 2.0 RDIG-L1/L2 BDA

STANDARD FEATURES

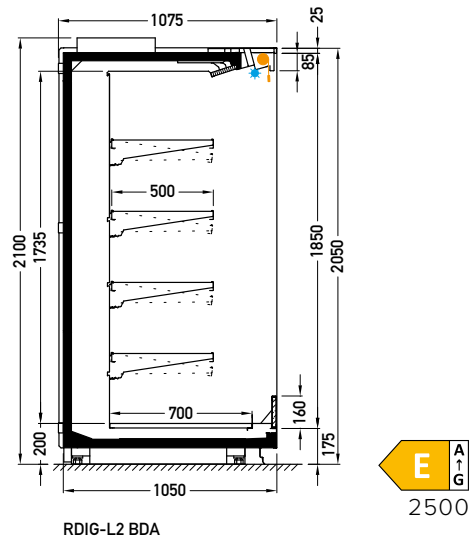
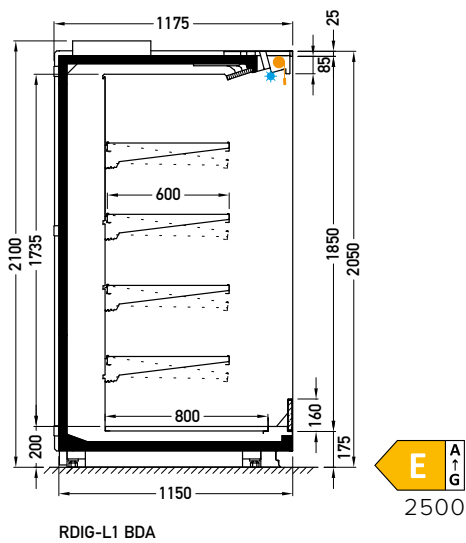
- working temperature: from 0°C to 2°C
- refrigerant: R744
- natural defrosting
- 2 x NTC temperature probe
- siphoned condensate drains
- exposition: zinc-plated steel, powder coated in white (RAL 9003)
- 4 rows of suspended shelves, on shelves and on air inlet price holders 39 mm
- lighting: top, LEDit, NW-4
- color of the base – black (RAL 9005)
- grey PVC bumper on the front of the unit
- mechanical night blind

OPTIONS

- electronic expansion valve
- sidewalls



Iberg 2.0 RDIG-L1 2500 BDA



AVAILABLE MODULES

2500 3750

REMOTE → MULTIDECKS

Kaukaz RDKA-11

DVO | DDS | XXX

STANDARD FEATURES

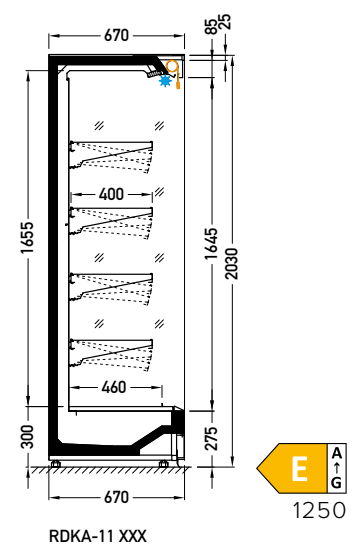
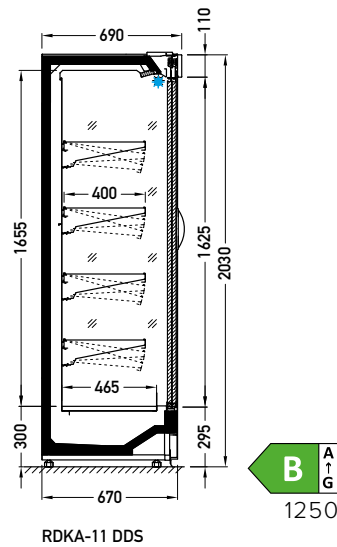
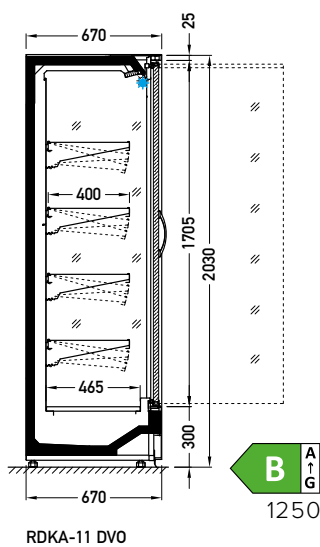
- working temperature: from 0°C to 2°C
- refrigerant: R744
- natural defrosting
- 2 x NTC temperature probe
- siphoned condensate drains
- exposition: zinc-plated steel, powder coated in white (RAL 9003)
- 4 rows of suspended shelves, on shelves and on air inlet price holders 39 mm
- lighting: top, LEDit, NW-4
- color of the base – black (RAL 9005)
- grey PVC bumper on the front of the unit
- mechanical night blind for version XXX

OPTIONS

- electronic expansion valve
- sidewalls



Kaukaz RDKA-11 2500 DVO



AVAILABLE MODULES

DVO	DDS	1250	1875	2150	2500	3750
XXX		0900	1000	1250	1875	2150 2500 3750





Semi Vertical *Multidecks*

REMOTE

This range of lower height multidecks has been designed to combine compact size and large display area. This solution provides a variety of options for store layout.

**Designed for natural
(hydrocarbons) refrigerants**

**GLOBAL WARMING
POTENTIAL (AR4)**



Andy RDAD-N5

BSA | DDS

STANDARD FEATURES

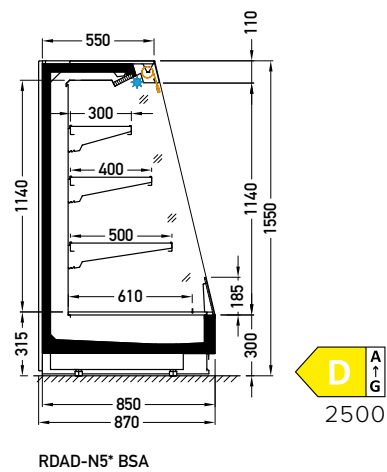
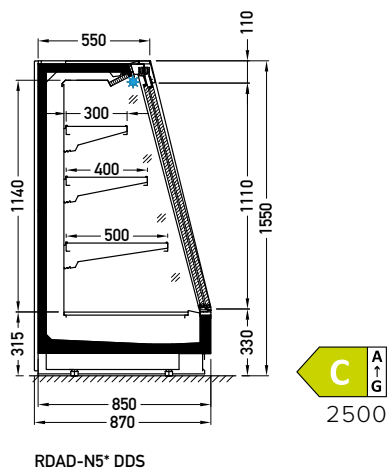
- working temperature from 0°C to 2°C;
- refrigerant: R744
- natural defrosting
- 2 x NTC temperature probe
- siphoned condensate drains
- exposition: zinc-plated steel, powder coated in white (RAL 9003)
- 3 rows of suspended shelves, on shelves and on air inlet price holders 39 mm
- lighting: top, LEDit, NW-4
- color of the base – black (RAL 9005)
- grey PVC bumper on the front of the unit
- mechanical night blind for version BSA

OPTIONS

- electronic expansion valve
- sidewalls



Andy RDAD-N5 2500 BSA



AVAILABLE MODULES

1250 1875 2150 2500 3750

REMOTE → SEMI-VERTICAL MULTIDECKS

Andy RDAN-29

BSA | DDS



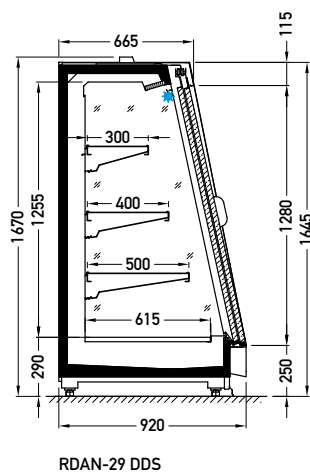
STANDARD FEATURES

- working temperature from 0°C to 2°C
- refrigerant: R744
- natural defrosting
- 2 x NTC temperature probe
- siphoned condensate drains
- exposition: zinc-plated steel, powder coated in white (RAL 9003)
- 3 rows of suspended shelves, on shelves and on air inlet price holders 39 mm
- lighting: top, LEDit, NW-4
- color of the base – black (RAL 9005)

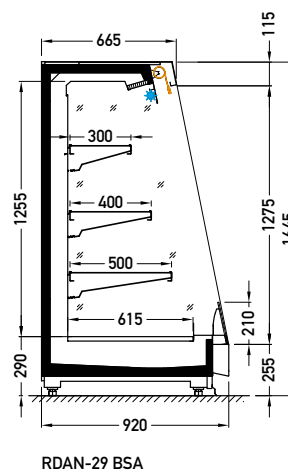
OPTIONS

- electronic expansion valve
- sidewalls

Andy RDAN 29 2500 BSA



C A t G
2500



E A t G
2500

AVAILABLE MODULES

1250 1875 2500 3750

REMOTE → SEMI-VERTICAL MULTIDECKS

Andy RDAN-31

BSA



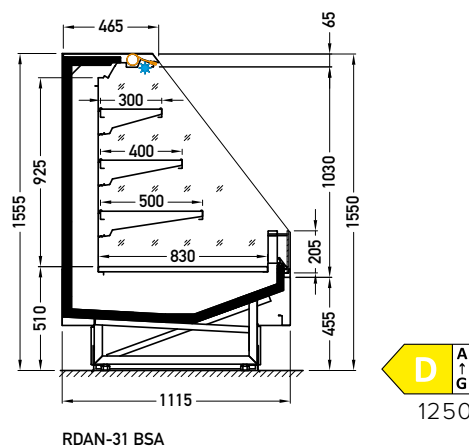
STANDARD FEATURES

- working temperature, straight module: from 0°C to 2°C;
- refrigerant: R744
- natural defrosting
- 2 x NTC temperature probe
- siphoned condensate drains
- exposition: zinc-plated steel, powder coated in white (RAL 9003)
- 3 rows of suspended shelves, on shelves and on air inlet price holders 39 mm
- lighting: top, LEDit, NW-4
- color of the base – black (RAL 9005)
- mechanical night blind

OPTIONS

- electronic expansion valve
- sidewalls

Andy RDAN-31 1250 BSA



AVAILABLE MODULES

1250 1875 2500 3750

REMOTE → SEMI-VERTICAL MULTIDECKS

Andy RDAN-37

BSA | CSS



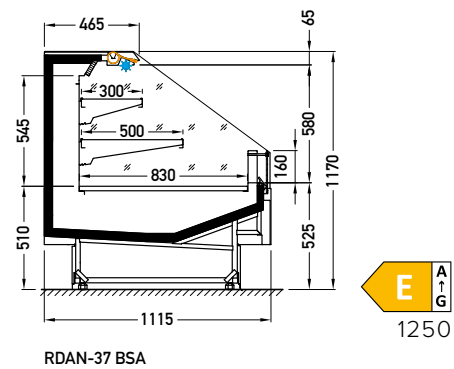
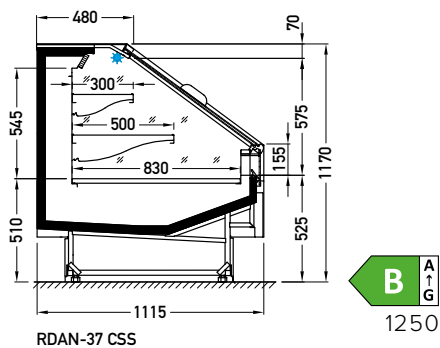
STANDARD FEATURES

- working temperature, straight module: from 0°C to 2°C
- refrigerant: R744
- natural defrosting
- 2 x NTC temperature probe
- siphoned condensate drains
- exposition: zinc-plated steel, powder coated in white (RAL 9003)
- 2 rows of suspended shelves, on shelves and on air inlet price holders 39 mm
- lighting: top, LEDit, NW-4
- color of the base – black (RAL 9005)
- mechanical night blind

OPTIONS

- electronic expansion valve
- sidewalls

Andy RDAN-37 2500 BSA



AVAILABLE MODULES

1250 1875 2500 3750



Islands

REMOTE

These are best adapted for spaces, where you do not want to obscure the view. We constantly improve the design of our equipment and we managed to create better side visibility, easier combining into lines, better service access for some parts and better design capabilities with painted vertical corner profiles.

**Designed for natural
(hydrocarbons) refrigerants**

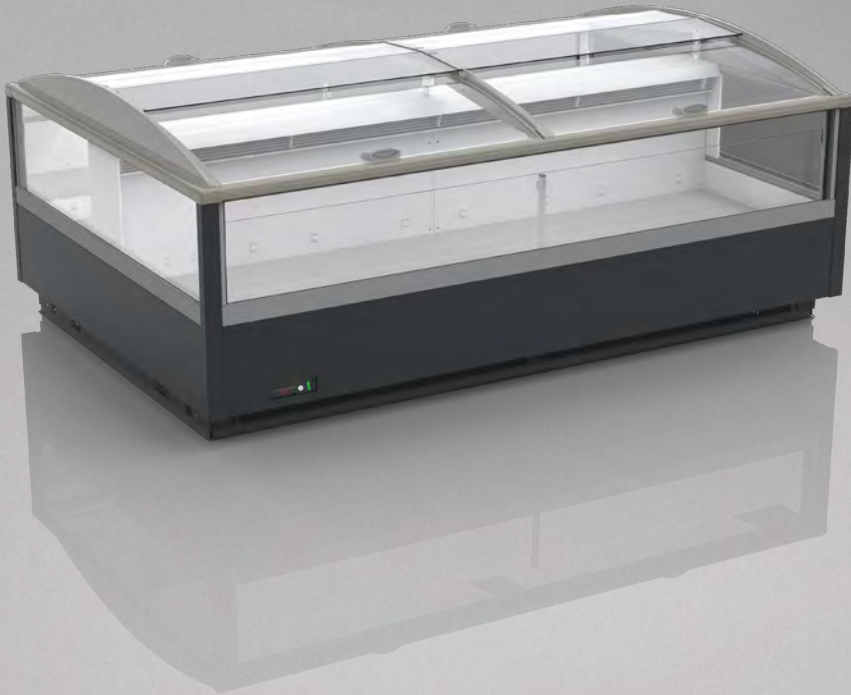


**GLOBAL WARMING
POTENTIAL (AR4)**



Everest WNEV-06

CCP | XXX



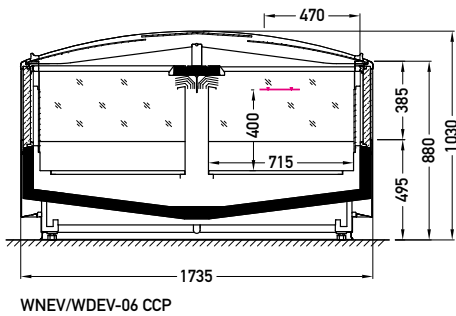
STANDARD FEATURES

- double island (1 evaporator per module)
- working temperature: from -25°C to -21°C
- refrigerant: R744
- electrical defrosting
- 2 x NTC temperature probe
- siphoned condensate drains
- thermopane glass
- exposition: zinc-plated steel, powder coated in white (RAL 9003)
- color of the base – black (RAL 9005)
- WNEV-06-1605G sidewalls integrated

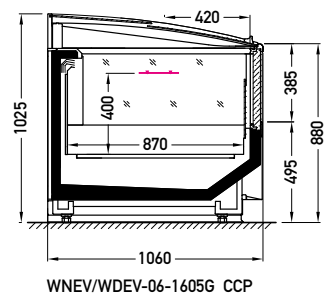
OPTIONS

- electronic expansion valve
- bumper
- sidewalls
- LEDit lighting

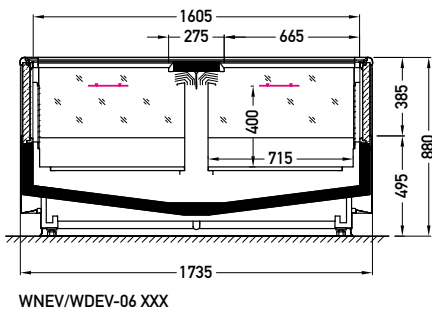
Everest WNEV-06 2500 CCP



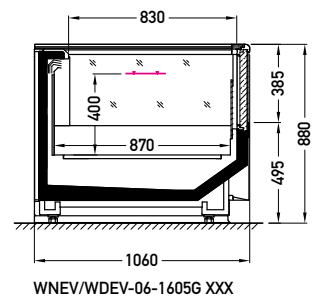
E A ↑ G
2500



E A ↑ G
1605



G A ↑ G
2500



F A ↑ G
1605

AVAILABLE MODULES

1875 2500 3750
1605G

REMOTE → ISLANDS

Everest WNEV-17 CCP



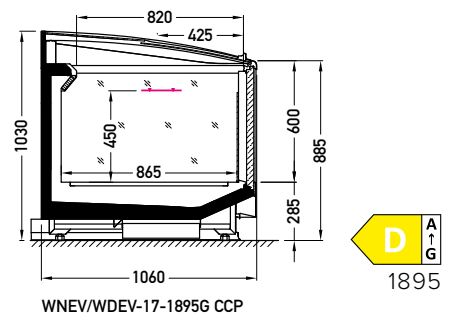
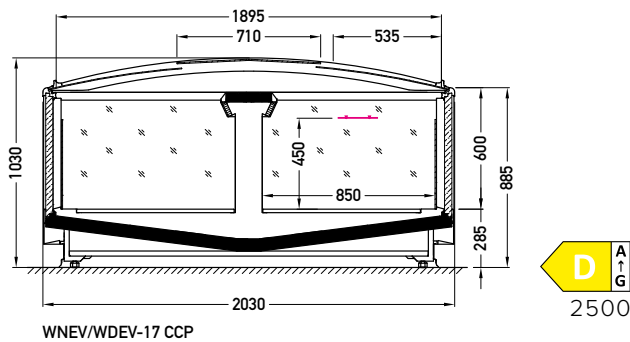
STANDARD FEATURES

- double island (1 evaporator per module)
- working temperature: from -25°C to -21°C
- refrigerant: R744
- electrical defrosting
- 2 x NTC temperature probe
- siphoned condensate drains
- thermopane glass
- exposition: zinc-plated steel, powder coated in white (RAL 9003)
- color of the base – black (RAL 9005)
- WNEV-17-1895G sidewalls integrated

OPTIONS

- electronic expansion valve
- bumper
- sidewalls
- LEDit lighting

Everest WNEV-17 2500 CCP

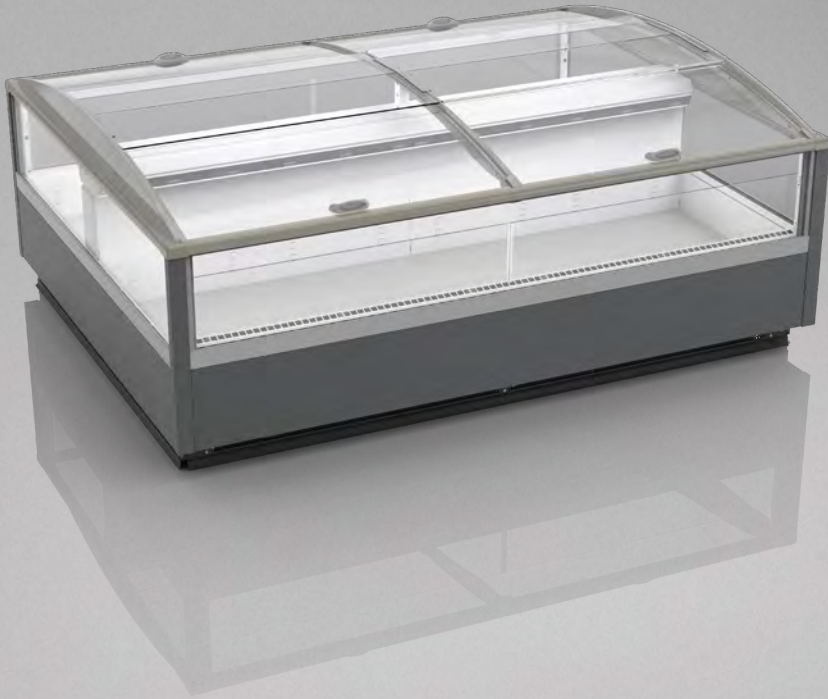


AVAILABLE MODULES

1875 2500 3750
1895G

Everest WNEV-27

CCP | XXX



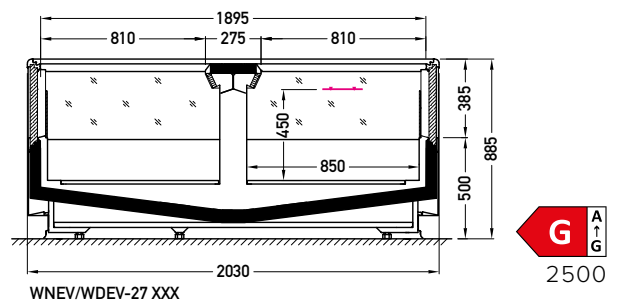
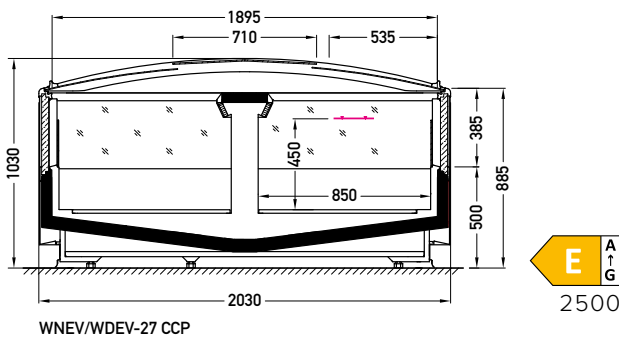
STANDARD FEATURES

- double island (1 evaporator per module)
- working temperature: from -25°C to -21°C
- refrigerant: R744
- electrical defrosting
- 2 x NTC temperature probe
- siphoned condensate drains
- thermopane glass
- exposition: zinc-plated steel, powder coated in white (RAL 9003)
- color of the base – black (RAL 9005)
- WNEV-27-1895G sidewalls integrated

OPTIONS

- electronic expansion valve
- bumper
- sidewalls
- LEDit lighting

Everest WNEV-27 2500 CCP



AVAILABLE MODULES

1875 2500 3750
1895G

REMOTE → ISLANDS

Idea WNIE-04

CCP | CSS | XXX

STANDARD FEATURES

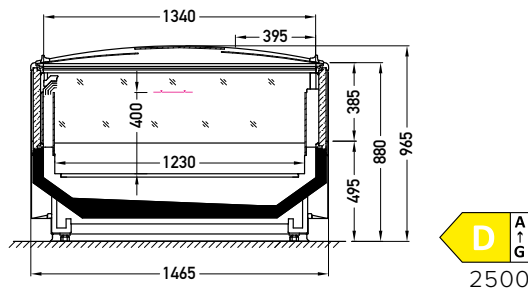
- working temperature: from -25°C to -21°C
- refrigerant: R744
- electrical defrosting
- 2 x NTC temperature probe
- siphoned condensate drains
- thermopane glass
- exposition: zinc-plated steel, powder coated in white (RAL 9003)
- color of the base – black (RAL 9005)
- WNID-04-1340G sidewalls integrated

OPTIONS

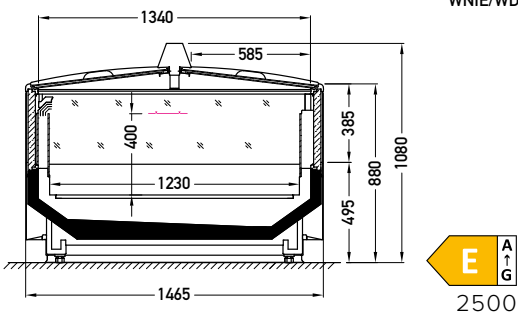
- electronic expansion valve
- bumper
- sidewalls
- LEDit lighting



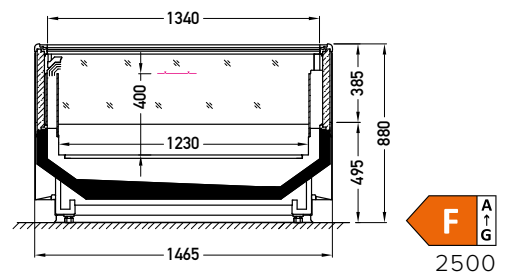
Idea WNID-04 2500 CSS



WNIE/WDIE-04 CCP



WNIE/WDIE-04 CSS



WNIE/WDIE-04 XXX

AVAILABLE MODULES

1875 2500 3750
1340G

REMOTE → ISLANDS

Idea WNIE-05

CCS | XXX



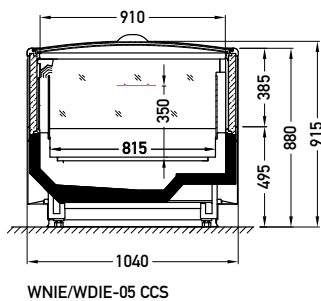
STANDARD FEATURES

- working temperature: from -25°C to -21°C
- refrigerant: R744
- electrical defrosting
- 2 x NTC temperature probe
- siphoned condensate drains
- thermopane glass
- exposition: zinc-plated steel, powder coated in white (RAL 9003)
- color of the base – black (RAL 9005)

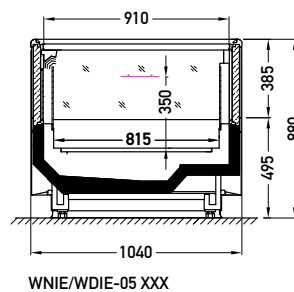
OPTIONS

- electronic expansion valve
- bumper
- sidewalls
- LEDit lighting

Idea WNIE-05 2500 CCS



E A ↑ G
2500



G A ↑ G
2500

AVAILABLE MODULES

1875 2500 3750





Cabinets

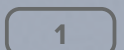
REMOTE

It is typically people with busy lifestyles who are shopping for frozen products. Good arrangement of a store can save a lot of time while shopping. That is why design of our cabinets is about good visibility and ergonomics. Easy to choose – easy to reach. But when there is no perfect match for interior requirements, then the only solution is to mix. Our line of mix cabinets is a customized solution, so you do not have to compromise anymore – you just have a broad range of equipment to choose from.

**Designed for natural
(hydrocarbons) refrigerants**



**GLOBAL WARMING
POTENTIAL (AR4)**



Glacier SNGL-H/L DTO



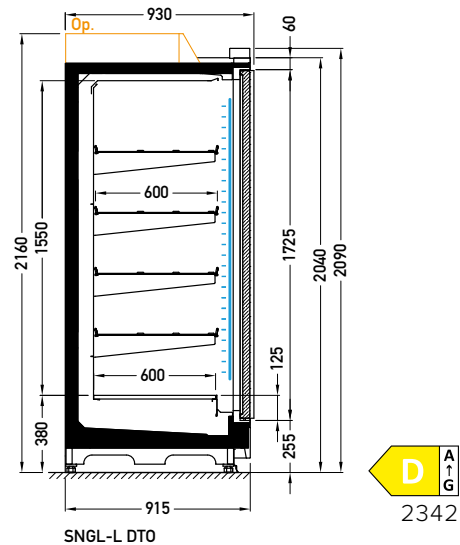
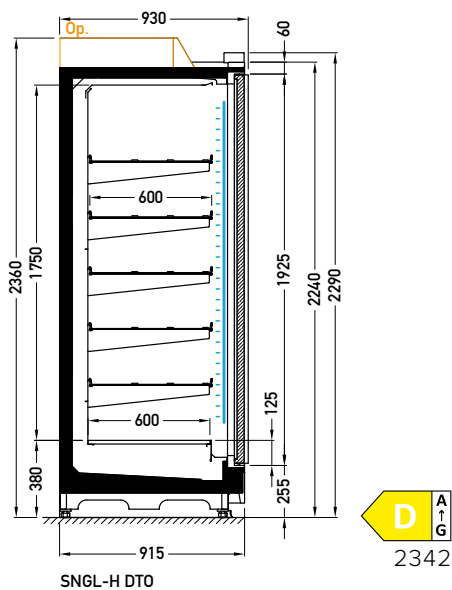
STANDARD FEATURES

- working temperature: from -25°C to -21°C
- refrigerant: R744
- electrical defrosting
- 2 x NTC temperature probe
- siphoned condensate drains
- 5 rows of suspended wire shelves for SNGL H and 4 rows for SNGL L, on shelves and on air inlet price holders 39 mm
- exposition: zinc-plated steel, powder coated in white (RAL 9003)
- lighting: vertical in doors frame, LEDit CW-2
- framed doors without heaters
- perspex divider between doors
- color of the base – black (RAL 9005)

OPTIONS

- electronic expansion valve
- bumper
- sidewalls

Glacier SNGL-L3 2342 DTO



AVAILABLE MODULES

H2-1564 H3-2342 H4-3123 H5-3898
L2-1564 L3-2342 L4-3123 L5-3898





Counters

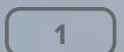
REMOTE

We focus not only on the display of the product, but also ergonomic and multifunctional use. We have created better conditions for product storage, easier cleaning and flexibility in changing the product from with service to self-service.

**Designed for natural
(hydrocarbons) refrigerants**



**GLOBAL WARMING
POTENTIAL (AR4)**



Grazia LDGR-08

GCL



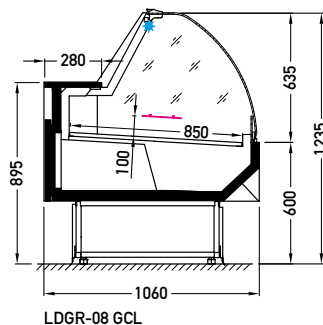
STANDARD FEATURES

- working temperature – straight module and corners from 0°C to 2°C
- refrigerant: R744
- electrical defrosting
- 2 x NTC temperature probe
- siphoned condensate drains
- back doors – quantity according to the module
- exposition: zinc-plated steel, powder coated in white (RAL 9003)
- storage: steel coated in grey
- worktop: linen stainless steel
- color of the base black (RAL 9005)
- perspex covers – 1250, 1875, 2500, 3750

OPTIONS

- electronic expansion valve
- LEDit lighting
- PVC floor profiles
- bumper
- sidewalls

Grazia LDGR-08 2500 GCL



AVAILABLE MODULES

1250 1875 2500 3750
NW45 NZ45

REMOTE → COUNTERS

Grazia LDGR-09

GCL



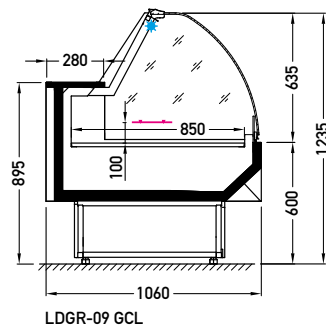
STANDARD FEATURES

- working temperature – straight module and corners from 0°C to 2°C
- refrigerant: R744
- electrical defrosting
- 2 x NTC temperature probe
- siphoned condensate drains
- exposition: zinc-plated steel, powder coated in white (RAL 9003)
- worktop: linen stainless steel
- color of the base black (RAL 9005)
- perspex covers – 1250, 1875, 2500, 3750

OPTIONS

- electronic expansion valve
- LEDit lighting
- PVC floor profiles
- bumper
- sidewalls

Grazia LDGR-09 2500 GCL



G A
1
G
1250

AVAILABLE MODULES

1250 1875 2500 3750
NW45 NZ45

Grazia LDGR-28

GSL

STANDARD FEATURES

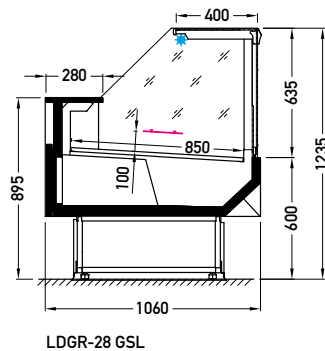
- working temperature – straight module and corners from 0°C to 2°C
- refrigerant: R744
- electrical defrosting
- 2 x NTC temperature probe
- siphoned condensate drains
- back doors – quantity according to the module
- exposition: zinc-plated steel, powder coated in white (RAL 9003)
- storage: steel coated in grey
- worktop: linen stainless steel
- color of the base black (RAL 9005)
- perspex covers – 1250, 1875, 2500, 3750

OPTIONS

- electronic expansion valve
- LEDit lighting
- PVC floor profiles
- bumper
- sidewalls



Grazia LDGR-28 2500 GSL



AVAILABLE MODULES

1250 1875 2500 3750
NW45 NZ45 NZ90

REMOTE → COUNTERS

Grazia LDGR-29 GSL



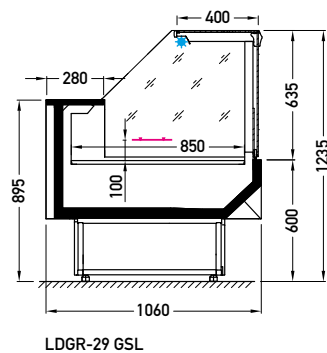
STANDARD FEATURES

- working temperature – straight module and corners from 0°C to 2°C
- refrigerant: R744
- electrical defrosting
- 2 x NTC temperature probe
- siphoned condensate drains
- exposition: zinc-plated steel, powder coated in white (RAL 9003)
- worktop: linen stainless steel
- color of the base black (RAL 9005)
- perspex covers – 1250, 1875, 2500, 3750

OPTIONS

- electronic expansion valve
- LEDit lighting
- PVC floor profiles
- bumper
- sidewalls

Grazia LDGR-29 2500 GSL



G
A
G
2500

AVAILABLE MODULES

1250 1875 2500 3750
NW45 NZ45 NZ90

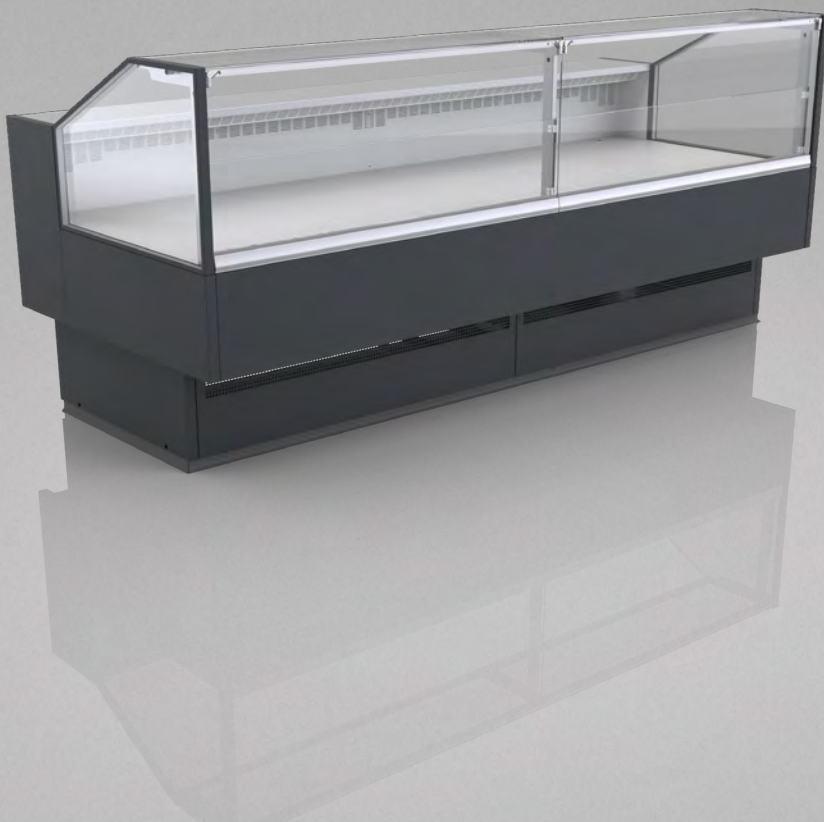
Grazia LDGR-30 GST

STANDARD FEATURES

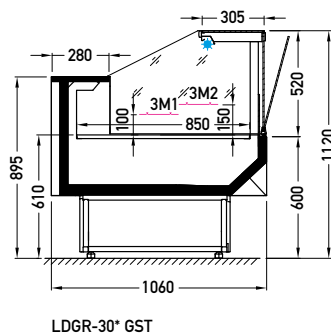
- working temperature: from 0°C to 2°C
- refrigerant: R744
- electrical defrosting
- 2 x NTC temperature probe
- siphoned condensate drains
- 2 exposition: zinc-plated steel, powder coated in white (RAL 9003)
- worktop: linen stainless steel
- perspex covers – 1250, 1875, 2500, 3750

OPTIONS

- electronic expansion valve
- LEDit lighting
- PVC floor profiles
- bumper
- sidewalls



Grazia LDGR-30 2500 GST



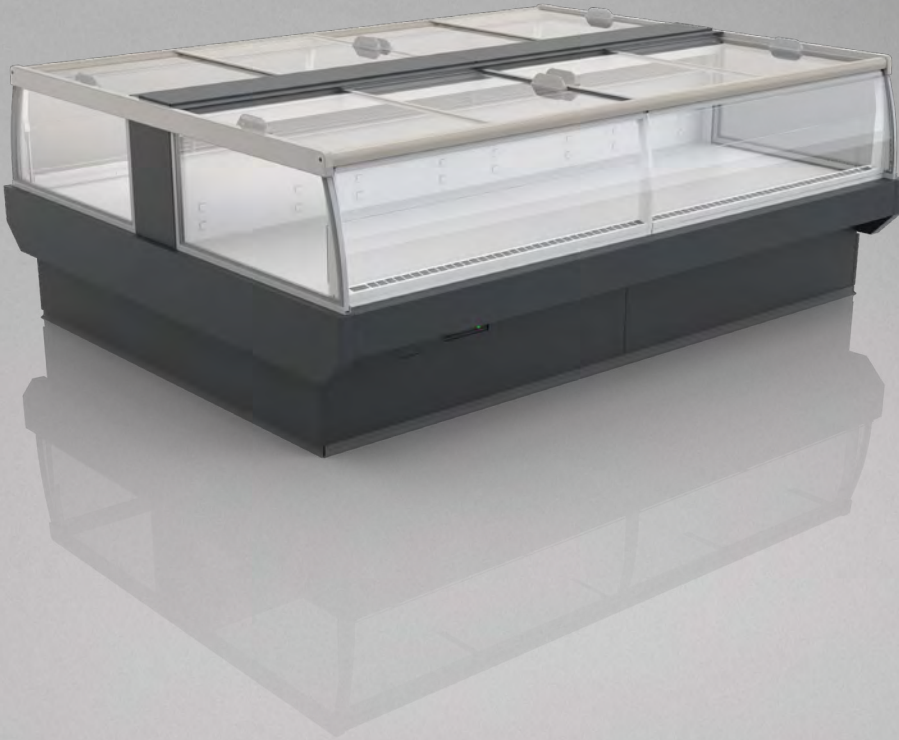
F
A
↑
G
1250

AVAILABLE MODULES

1250 1875 2500 3750

Lhotse LDLH-12

CSS | BCA



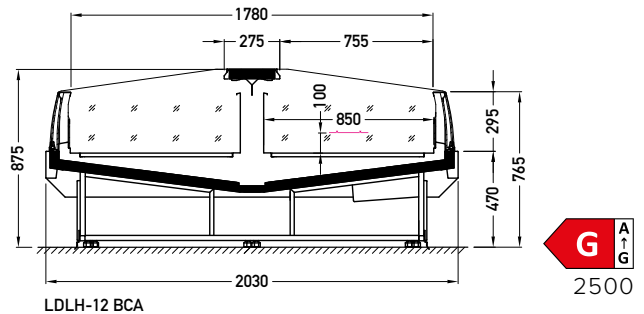
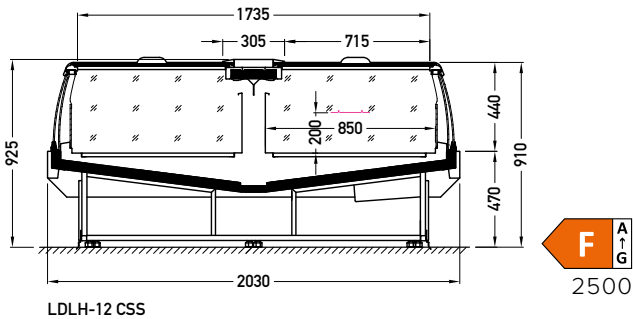
STANDARD FEATURES

- working temperature: from 0°C to 2°C
- refrigerant: R744
- electrical defrosting
- 2 x NTC temperature probe
- siphoned condensate drains
- 2 exposition: zinc-plated steel, powder coated in white (RAL 9003)
- worktop: linen stainless steel
- exposition on the full base
- mechanical night blind in cassette for version BCA
- cascade 3-levels zinc steel (RAL 9003) for version BCA

OPTIONS

- electronic expansion valve
- LEDit lighting
- PVC floor profiles
- bumper
- sidewalls

Lhotse LDLH-12 2500 CSS



AVAILABLE MODULES

1875 2500 3750
1930G

Lhotse LDLH-36

GSD | GSL

STANDARD FEATURES

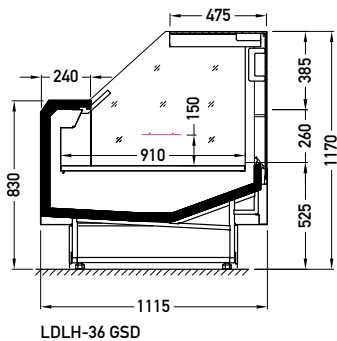
- working temperature: from 0°C to 2°C
- refrigerant: R744
- electrical defrosting
- 2 x NTC temperature probe
- siphoned condensate drains
- exposition: zinc-plated steel, powder coated in white (RAL 9003)
- worktop: linen stainless steel
- GSD without a possibility to install lighting
- exposition on a full base

OPTIONS

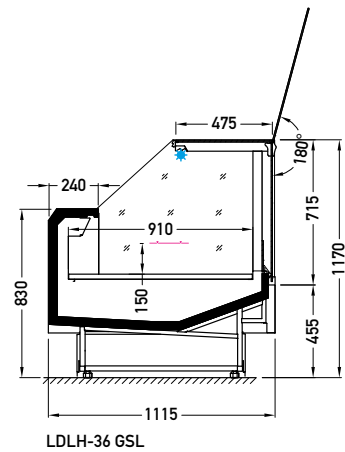
- electronic expansion valve
- LEDit lighting
- PVC floor profiles
- bumper
- sidewalls



Lhotse LDLH 36 2500 GSD



E A ↑ G
1250



E A ↑ G
1250

AVAILABLE MODULES

1250 1875 2500 3750

Lhotse LDLH-37

GSL | BSA



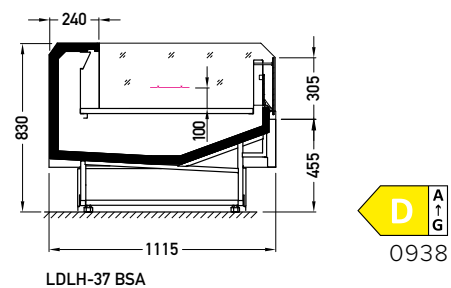
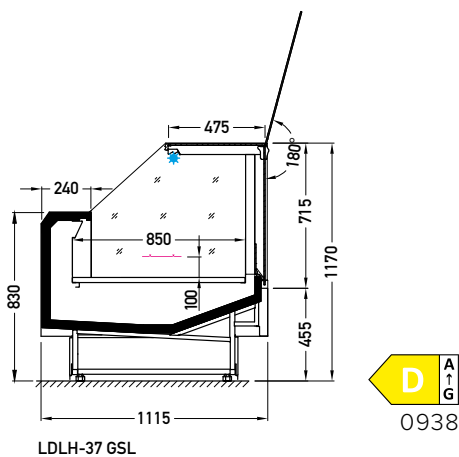
STANDARD FEATURES

- working temperature – straight and corner NZC/NZS GSL from 0°C to 2°C; corner NZC/NZS BSA from 2°C to 4°C (with cascade from 0°C to 2°C); corner NWS from 4°C to 8°C
- refrigerant: R744
- electrical defrosting
- 2 x NTC temperature probe
- siphoned condensate drains
- exposition: zinc-plated steel, powder coated in white (RAL 9003)
- worktop: linen stainless steel
- exposition on a full base

OPTIONS

- electronic expansion valve
- LEDit lighting
- PVC floor profiles
- bumper
- sidewalls

Lhotse LDLH-37 2500 GSL



AVAILABLE MODULES

0938 1250 1875 2150 2500 3750
 NW45 NW90 NZC45 NZS45 NZS90

Lhotse LDLH-46

GCL | BCA



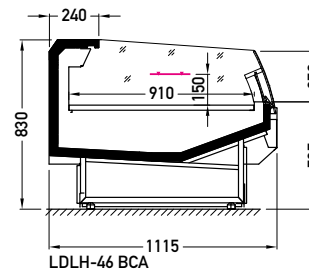
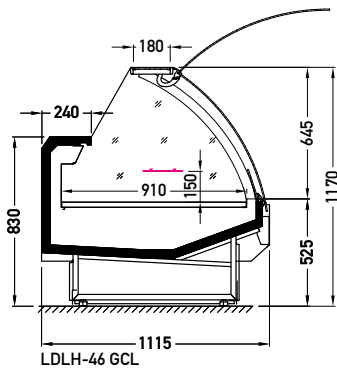
STANDARD FEATURES

- working temperature – straight module: from 0°C to 2°C; corner nodules from 4°C to 8°C
- refrigerant: R744
- electrical defrosting
- 2 x NTC temperature probe
- siphoned condensate drains
- exposition: zinc-plated steel, powder coated in white (RAL 9003)
- worktop: linen stainless steel
- expositions full base

OPTIONS

- electronic expansion valve
- LEDit lighting
- PVC floor profiles
- bumper
- sidewalls

Lhotse LDLH-46 2500 GCL



AVAILABLE MODULES

1250 1875 2150 2500 3750

Lhotse LDLH-47

GCL | BCA



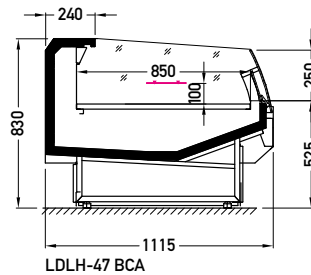
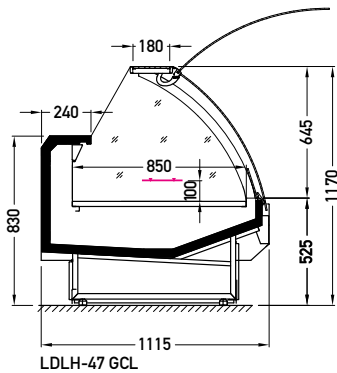
STANDARD FEATURES

- working temperature – straight module: from 0°C to 2°C; corner nodules from 4°C to 8°C
- refrigerant: R744
- electrical defrosting
- 2 x NTC temperature probe
- siphoned condensate drains
- exposition: zinc-plated steel, powder coated in white (RAL 9003)
- worktop: linen stainless steel
- expositions full base

OPTIONS

- electronic expansion valve
- LEDit lighting
- PVC floor profiles
- bumper
- sidewalls

Lhotse LDLH-47 2500 GCL



AVAILABLE MODULES

BCA	1250	1875	2150	2500	3750	
GCL	0938	1250	1875	2150	2500	3750
BCA GCL	NW45	NW90	NZ45	NZ90		



Counters

HOT CASES

Ideal for the busy restaurant or food service outlet, our range of hot cases use hot lamps, heated elements or Bain marie's and can be multiplexed with chilled counters from the same range.

Grazia LGGR-28

GSL | BSA



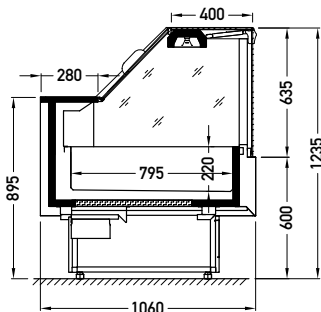
STANDARD FEATURES

- hot cases: Bain Marie / Hot plate
- temperature up to +85°C
- electronic controller with temperature indicator / for Bain Marie additionally a mechanical thermometer at the air inlet
- feature of the heating element – heating plate (for hot case) / heating bath (for Bain Marie)
- lighting panel: IR heating lamp (for GSL)
- exposition: stainless steel H18
- external surfaces (front / base): zinc-plated steel, powder coated
- exposition on a full base

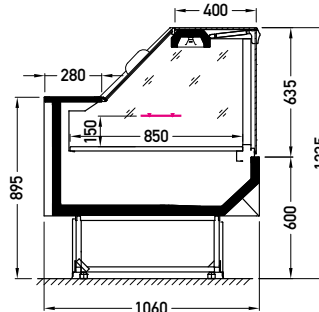
OPTIONS

- sidewalls

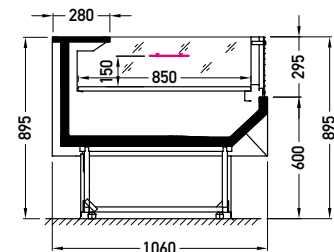
Grazia LGGR-28 1250 GSL Bain Marie



LGGR-28 GSL
Bain-marie



LGGR-28 GSL
Hot-plate



LGGR-28 BSA
Hot-plate

AVAILABLE MODULES

1250

Lhotse LGLH-37 GSL



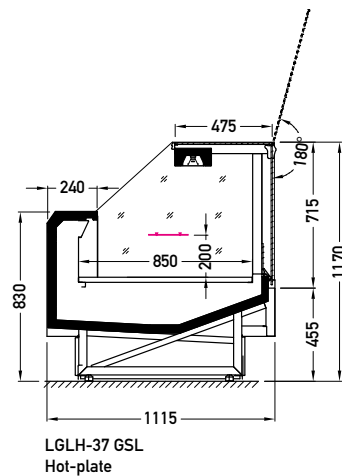
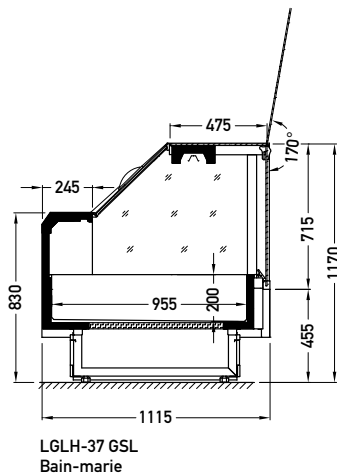
STANDARD FEATURES

- hot cases: Bain Marie / Hot plate
- temperature up to +85°C
- electronic controller with temperature indicator / for Bain Marie additionally a mechanical thermometer at the air inlet
- feature of the heating element – heating plate (for hot case) / heating bath (for Bain Marie)
- lighting panel: IR heating lamp
- exposition: stainless steel H18
- external surfaces (front / base): zinc-plated steel, powder coated
- exposition on a full base

OPTIONS

- sidewalls

Lhotse LGLH-37 1250 GSL Bain Marie



AVAILABLE MODULES

Hot plate 0938 1250 1875

Bain-Marie 0938 1250



The background features a light blue gradient with several overlapping, wavy, layered shapes in a slightly darker shade of blue. A thin, bright yellow line follows the contours of these shapes, creating a sense of depth and movement.

PLUG-IN



Multidecks

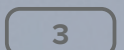
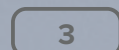
PLUG-IN

Our desire for continuous improvement and innovation has led us to develop systems and solutions that reduce environmental impact. That is why we have developed a system that eliminates defrost cycle and lowers the energy use.

Designed for natural
(hydrocarbons) refrigerants



GLOBAL WARMING
POTENTIAL (AR4)



PLUG-IN → MULTIDECKS

Kaukaz RDKA-11

DVO



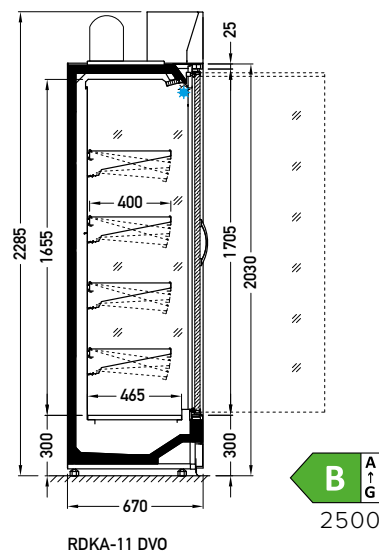
STANDARD FEATURES

- plug-in unit (on top of the unit)
- working temperature: from 0°C to 2°C
- refrigerant: R290
- electrical defrosting
- siphoned condensate drains – connection to the sewage system is necessary (optionally – condensate pump)
- electronic controller with temperature indicator
- exposition: zinc-plated steel, powder coated in white (RAL 9003)
- 4 rows of suspended shelves, on shelves and on air inlet price holders 39 mm
- lighting: top, LEDit, NW-4
- color of the base black (RAL 9005)

OPTIONS

- sidewalls

Kaukaz RDKA-11 2500 DVO



AVAILABLE MODULES

1250 2500 3750

PLUG-IN → MULTIDECKS

Medium RDME-10

DVO | DDS | BDA



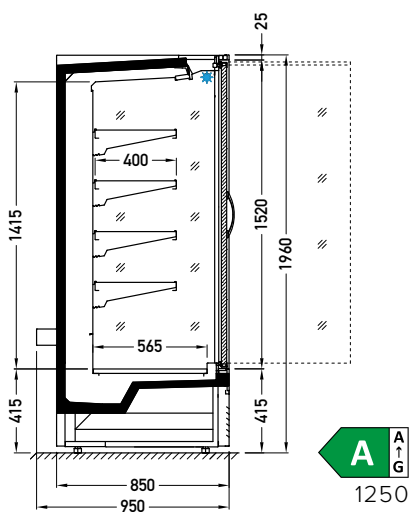
STANDARD FEATURES

- working temperature for BDA: from 2°C to 4°C; for DVO/DDS: from 0°C to 2°C
- refrigerant: R290
- natural defrosting
- automatic evaporation of condensate
- electronic controller with temperature indicator
- exposition: zinc-plated steel, powder coated in white (RAL 9003)
- 4 rows of suspended shelves, on shelves and on air inlet price holders 39 mm
- perspex shelf riser for BDA
- lighting: top, LEDit, NW-4
- color of the base black (RAL 9005)
- mechanical night blind for version BDA

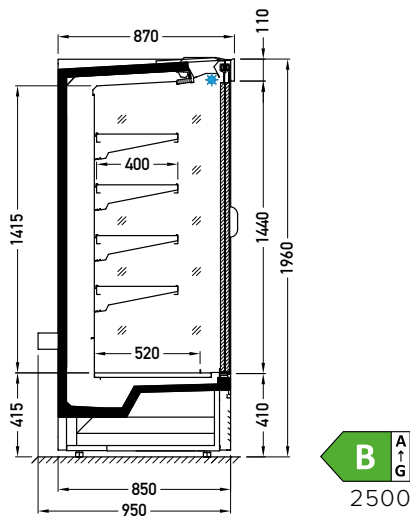
OPTIONS

- sidewalls

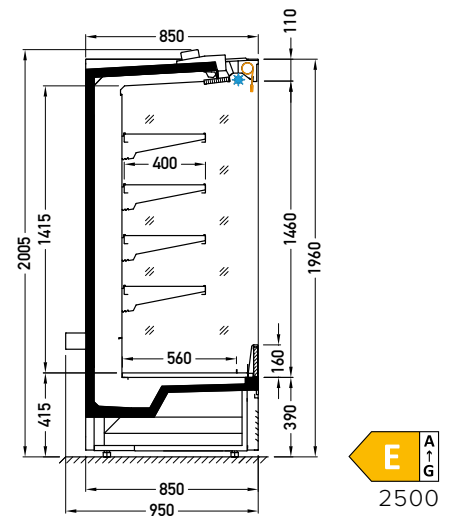
Medium RDME-10 2500 DVO



RDME-10 DVO



RDME-10 DDS



RDME-10 BDA

AVAILABLE MODULES

1250 1875 2500

PLUG-IN → MULTIDECKS

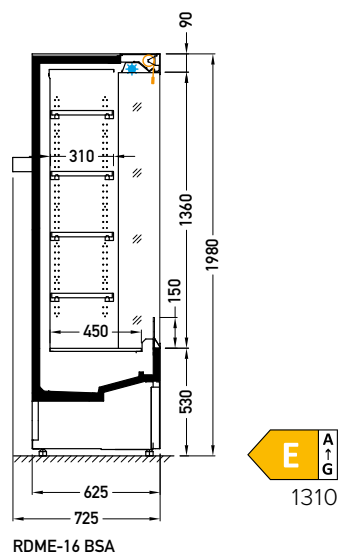
Medium RDME-16 BSA



STANDARD FEATURES

- working temperature: from 2°C to 4°C
- refrigerant: R290
- natural defrosting
- automatic evaporation of condensate
- electronic controller with temperature indicator
- exposition: zinc-plated steel, powder coated in white (RAL 9003)
- 4 rows of suspended shelves, on shelves and on air inlet price holders 39 mm
- lighting: top, LEDit, NW-4
- color of the base black (RAL 9005)
- Integrated sidewalls
- mechanical night blind

Medium RDME-16 1310 BSA



AVAILABLE MODULES

0480 0660 1310

PLUG-IN → MULTIDECKS

Medium RDME-21

DVO | DDS | BSA



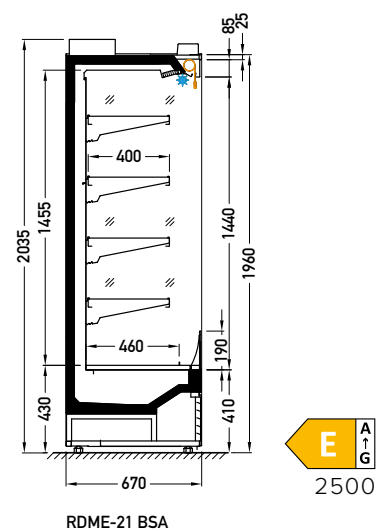
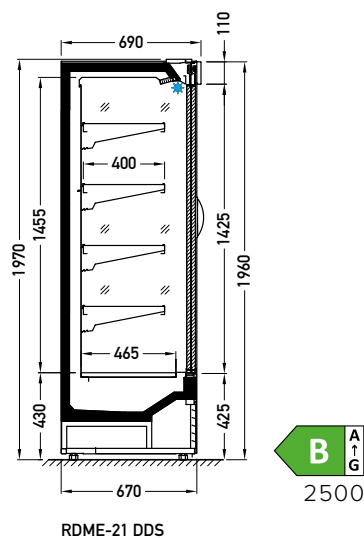
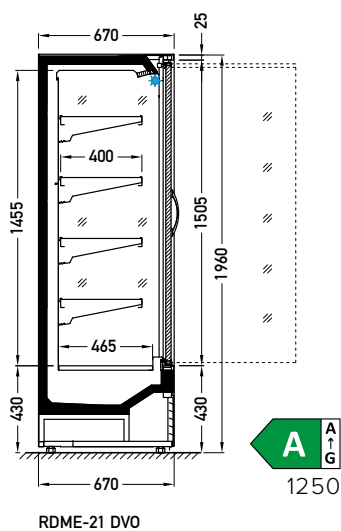
STANDARD FEATURES

- working temperature: for DVO/DDS: from 0°C to 2°C; for BSA: from 2°C to 4°C;
- refrigerant: R290
- natural defrosting
- automatic evaporation of condensate
- electronic controller with temperature indicator
- exposition: zinc-plated steel, powder coated in white (RAL 9003)
- 4 rows of suspended shelves, on shelves and on air inlet price holders 39 mm
- lighting: top, LEDit, NW-4
- color of the base black (RAL 9005)
- mechanical night blind for version BSA

OPTIONS

- sidewalls

Medium RDME-21 2500 DVO



AVAILABLE MODULES

DDS	DVO	1250	1875	2500	
BSA		0900	1250	1875	2500

Medium RDME-22

DVO | DDS | BSA



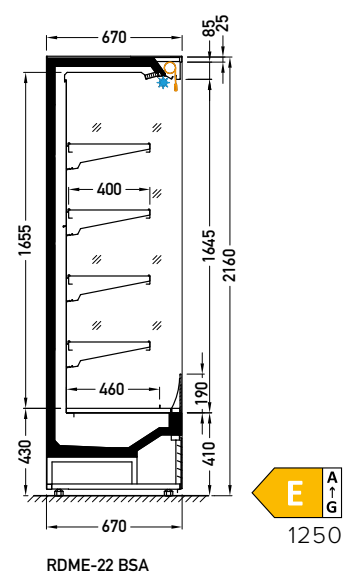
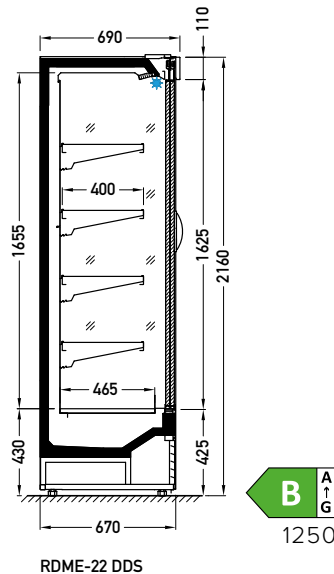
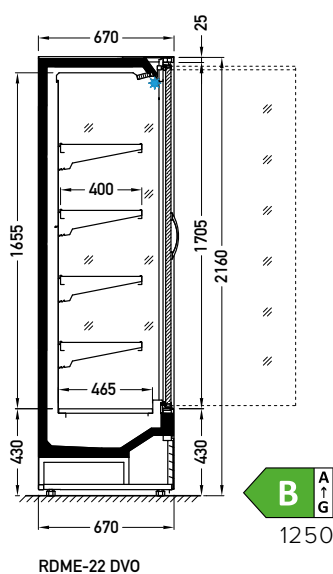
STANDARD FEATURES

- working temperature: DVO/DDS from 0°C to 2°C; BSA 2°C to 6°C
- refrigerant: R290
- natural defrosting
- automatic evaporation of condensate
- electronic controller with temperature indicator
- exposition: zinc-plated steel, powder coated in white (RAL 9003)
- 4 rows of suspended shelves, on shelves and on air inlet price holders 39 mm
- lighting: top, LEDit, NW-4
- color of the base black (RAL 9005)
- mechanical night blind for version BSA

OPTIONS

- sidewalls

Medium RDME-22 2500 BSA



AVAILABLE MODULES

	0900	1250	1600	1875	2500
BSA					
DVO					
DDS					

PLUG-IN → MULTIDECKS

Garmo RDGA-L4 DVO



STANDARD FEATURES

- working temperature: from 0°C to 2°C
- refrigerant: R290
- hot gas defrosting
- automatic evaporation of condensate
- electronic controller with temperature indicator
- exposition: zinc-plated steel, powder coated in white (RAL 9003)
- 4 rows of suspended shelves, on shelves and on air inlet price holders 39 mm
- lighting: top, LEDit, NW-4
- color of the base black (RAL 9005)

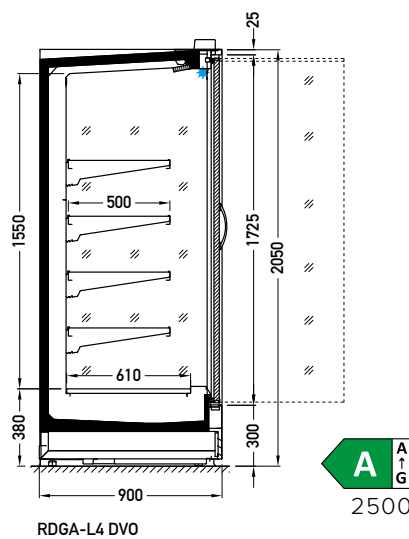
OPTIONS

- sidewalls

HIGHLY COMMENDED



Garmo RDGA-L4 2500 DVO



AVAILABLE MODULES

1250 1875 2500 3750

PLUG-IN → MULTIDECKS

Garmo RDGA-L5

DVO | DDS



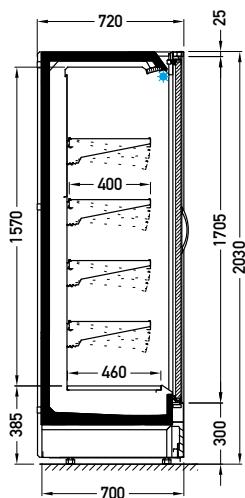
STANDARD FEATURES

- working temperature: from 0°C to 2°C
- refrigerant: R290
- hot gas defrosting
- automatic evaporation of condensate
- electronic controller with temperature indicator
- exposition: zinc-plated steel, powder coated in white (RAL 9003)
- 4 rows of suspended shelves, on shelves and on air inlet price holders 39 mm
- lighting: top, LEDit, NW-4
- color of the base black (RAL 9005)

OPTIONS

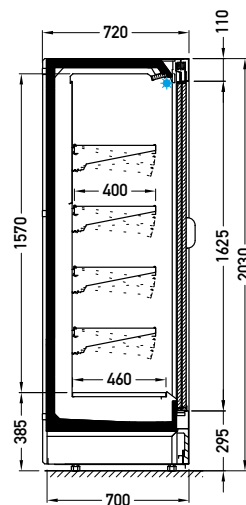
- sidewalls

Garmo RDGA-L5 2500 DVO



RDGA-L5 DVO

B A ↑ G
2500



RDGA-L5 DDS

B A ↑ G
2500

AVAILABLE MODULES

1000 1250 1600 1875 2500 3750





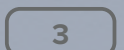
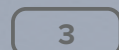
Semi Vertical *Multidecks*

PLUG-IN

This range of lower height multidecks has been designed to combine compact size and large display area. This solution provides a variety of options for store layout.

Designed for natural
(hydrocarbons) refrigerants

GLOBAL WARMING
POTENTIAL (AR4)



PLUG-IN → SEMI-VERTICAL MULTIDECKS

Atlanta RDAT-10

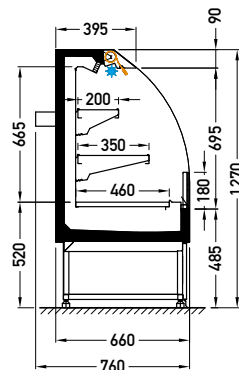
BSA



STANDARD FEATURES

- working temperature: from 0°C to 2°C
- refrigerant: R290
- natural defrosting
- automatic evaporation of condensate
- electronic controller with temperature indicator
- exposition: zinc-plated steel, powder coated in white (RAL 9003)
- 2 rows of suspended shelves, on shelves and on air inlet price holders 39 mm
- lighting: top, LEDit, NW-4
- color of the base black (RAL 9005)
- Integrated sidewalls (perspex)
- mechanical night blind

Atlanta RDAT-10 1180 BSA



F
A
↑
G
1180

AVAILABLE MODULES

0880 1180 1875 2500

PLUG-IN → SEMI-VERTICAL MULTIDECKS

Atlanta RDAL-N5

DDS | BSA



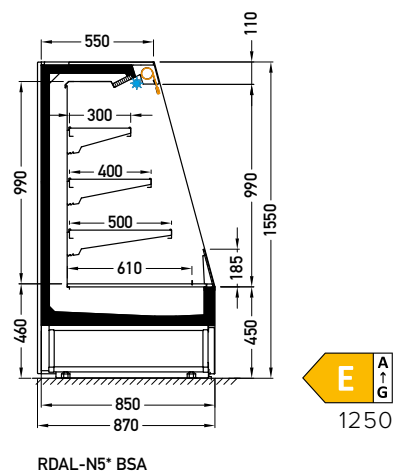
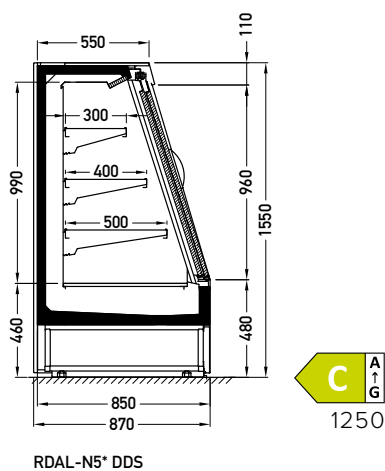
STANDARD FEATURES

- working temperature: from 0°C to 2°C
- natural defrosting
- refrigerant: R290
- automatic evaporation of condensate
- electronic controller with temperature indicator
- exposition: zinc-plated steel, powder coated in white (RAL 9003)
- 3 rows of suspended shelves, on shelves and on air inlet price holders 39 mm
- **lighting: top, LEDit, NW-4**
- colour of the base black (RAL 9005)
- mechanical night blind for BSA version

OPTIONS

- sidewalls

Atlanta RDAL-N5 2500 DDS



AVAILABLE MODULES

1250 1875 2500

PLUG-IN → SEMI-VERTICAL MULTIDECKS

Atlanta RDAT-20

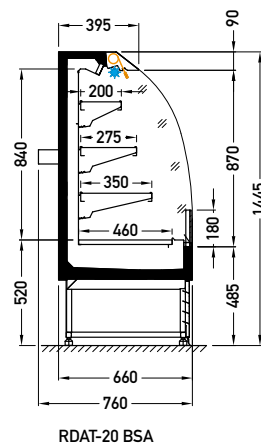
BSA

STANDARD FEATURES

- working temperature: from 0°C to 2°C
- refrigerant: R290
- natural defrosting
- automatic evaporation of condensate
- electronic controller with temperature indicator
- exposition: zinc-plated steel, powder coated in white (RAL 9003)
- 3 rows of suspended shelves, on shelves and on air inlet price holders 39 mm
- lighting: top, LEDit, NW-4
- color of the base black (RAL 9005)
- Integrated sidewalls (perspex)
- mechanical night blind



Atlanta RDAT-20 2500 BSA



E A
G
0880

AVAILABLE MODULES

0880 1180 1875 2500
0580G

PLUG-IN → SEMI-VERTICAL MULTIDECKS

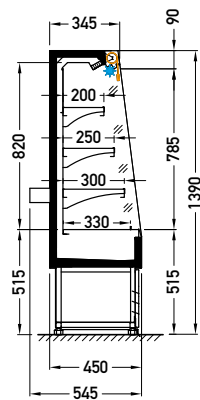
Atlanta RDAT-30 XXX



STANDARD FEATURES

- working temperature: from 2°C to 4°C
- refrigerant: R290
- natural defrosting
- automatic evaporation of condensate
- electronic controller with temperature indicator
- exposition: zinc-plated steel, powder coated in white (RAL 9003)
- 3 rows of suspended shelves, on shelves and on air inlet price holders 39 mm
- lighting: top, LEDit, NW-4
- color of the base black (RAL 9005)
- integrated sidewalls (perspex)
- mechanical night blind

Atlanta RDAT-30 0980 XXX



RDAT-30



0980

AVAILABLE MODULES

0980



Islands

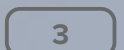
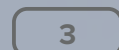
PLUG-IN

These are best adapted for spaces, where you do not want to obscure the view. We constantly improve the design of our equipment and we managed to create better side visibility, easier combining into lines, better service access for some parts and better design capabilities with painted vertical corner profiles.

Designed for natural
(hydrocarbons) refrigerants

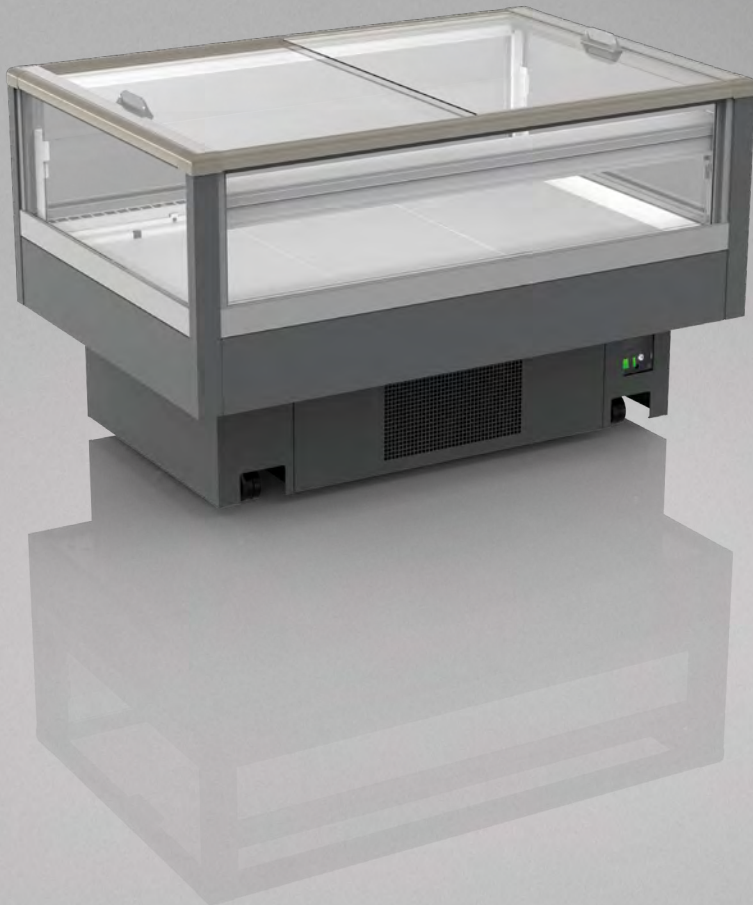


GLOBAL WARMING
POTENTIAL (AR4)



Pamir WNPR-04

CSS | XXX



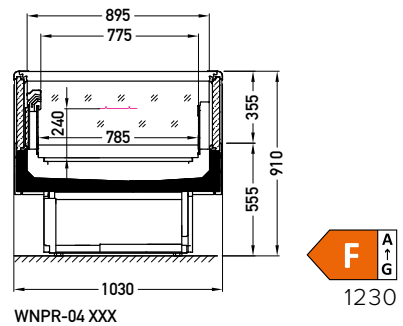
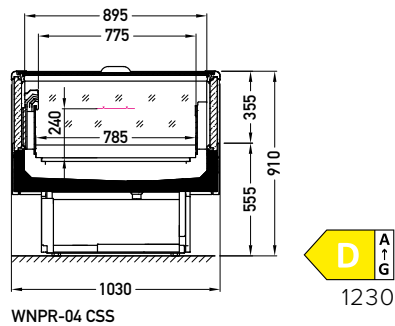
STANDARD FEATURES

- working temperature: from -25°C to -21°C
- refrigerant: R290
- hot gas defrosting
- automatic evaporation of condensate
- electronic controller with temperature indicator
- exposition: zinc-plated steel, powder coated in white (RAL 9003)
- thermopane glass
- color of the base black (RAL 9005)
- sidewalls integrated

OPTIONS

- bumper
- LEDit lighting
- night cover for version XXX

Pamir WNPR-04 1530 CSS



AVAILABLE MODULES

CSS	1230	1530	2030	2530
XXX	1230	1530	2030	

Pamir WDPR-04

CSS | XXX



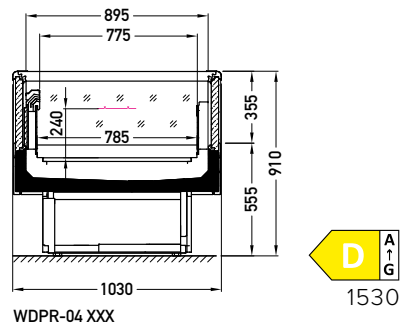
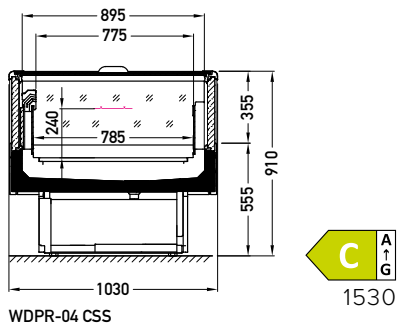
STANDARD FEATURES

- working temperature: from 0°C to 2°C
- refrigerant: R290
- hot gas defrosting for modules 1530/2530 CSS; electrical defrosting for modules 2030 CSS / all XXX
- automatic evaporation of condensate
- electronic controller with temperature indicator
- exposition: zinc-plated steel, powder coated in white (RAL 9003)
- thermopane glass
- color of the base black (RAL 9005)
- sidewalls integrated

OPTIONS

- bumper
- LEDit lighting

Pamir WDPR-04 1530 CSS



AVAILABLE MODULES

1530 2030 2530

PLUG-IN → ISLANDS

Pamir WNPA-09 CSS



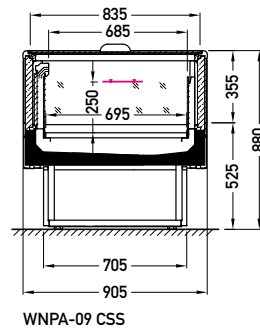
STANDARD FEATURES

- working temperature: from -25°C to -21°C
- refrigerant: R290
- hot gas defrosting
- automatic evaporation of condensate
- electronic controller with temperature indicator
- exposition: zinc-plated steel, powder coated in white (RAL 9003)
- thermopane glass
- color of the base black (RAL 9005)
- sidewalls integrated

OPTIONS

- bumper
- LEDit lighting

Pamir WNPA-09 0905 CSS



F A
↑
G
0905

AVAILABLE MODULES

0905

PLUG-IN → ISLANDS

Pamir WNPA-10 CSS



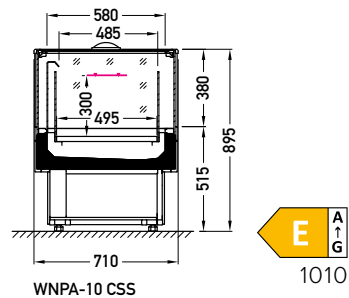
STANDARD FEATURES

- working temperature: from -25°C to -21°C
- refrigerant: R290
- hot gas defrosting
- automatic evaporation of condensate
- electronic controller with temperature indicator
- exposition: zinc-plated steel, powder coated in white (RAL 9003)
- thermopane glass
- color of the base black (RAL 9005)
- sidewalls integrated

OPTIONS

- bumper
- LEDit lighting

Pamir WNPA-10 1010 CSS



AVAILABLE MODULES

1010

PLUG-IN → ISLANDS

Pamir WNPA-15 CSS



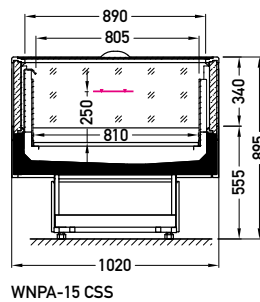
STANDARD FEATURES

- working temperature: from -25°C to -21°C
- refrigerant: R290
- hot gas defrosting
- automatic evaporation of condensate
- electronic controller with temperature indicator
- exposition: zinc-plated steel, powder coated in white (RAL 9003)
- thermopane glass
- color of the base black (RAL 9005)
- sidewalls integrated

OPTIONS

- bumper
- LEDit lighting

Pamir WNPA-15 1220 CSS



AVAILABLE MODULES

1220

PLUG-IN → ISLANDS

Imja WNIJ-05 CCS



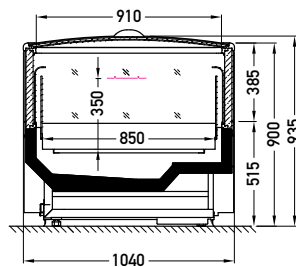
STANDARD FEATURES

- working temperature: from -25°C to -21°C
- refrigerant: R290
- hot gas defrosting
- automatic evaporation of condensate
- electronic controller with temperature indicator
- exposition: zinc-plated steel, powder coated in white (RAL 9003)
- thermopane glass (4 side glass)
- color of the base black (RAL 9005)

OPTIONS

- sidewalls
- LEDit lighting

Imja WNIJ-05 2500 CCS



WNIJ/WDIJ-05 CCS

D A
1 G
1875

AVAILABLE MODULES

1875 2500

PLUG-IN → ISLANDS

Imja WNIJ-06 CCS



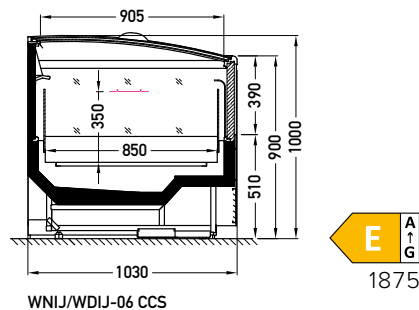
STANDARD FEATURES

- working temperature: from -25°C to -21°C
- refrigerant: R290
- hot gas defrosting
- automatic evaporation of condensate
- electronic controller with temperature indicator
- exposition: zinc-plated steel, powder coated in white (RAL 9003)
- thermopane glass (3 side glass)
- color of the base black (RAL 9005)
- in module 2150G sidewalls integrated

OPTIONS

- sidewalls
- LEDit lighting

Imja WNIJ-06 2500 CCS



AVAILABLE MODULES

1875 2500
2150G

PLUG-IN → ISLANDS

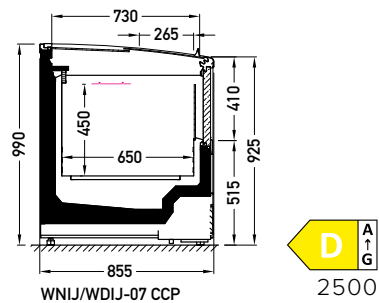
Imja WNIJ-07 CCP



STANDARD FEATURES

- working temperature: from -25°C to -21°C
- refrigerant: R290
- hot gas defrosting
- automatic evaporation of condensate
- electronic controller with temperature indicator
- exposition: zinc-plated steel, powder coated in white (RAL 9003)
- thermopane glass
- color of the base black (RAL 9005)
- flat front bumper; in module TG flat front and side bumper
- lighting: in the handrail, LEDit, CW-2
- full sidewalls integrated

Imja WNIJ-07 2100 CCP



AVAILABLE MODULES

1850 2100 2500
1850G

Imja WNIJ-14 CSP

STANDARD FEATURES

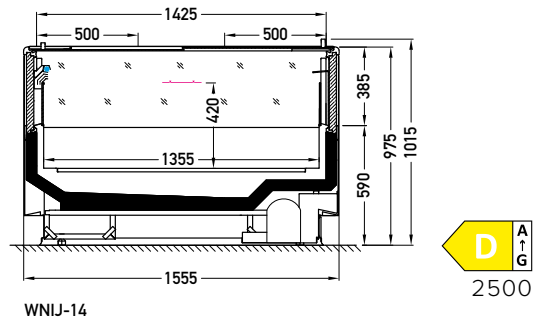
- working temperature: from -25°C to -21°C
- refrigerant: R290
- hot gas defrosting
- automatic evaporation of condensate
- electronic controller with temperature indicator
- exposition: zinc-plated steel, powder coated in white (RAL 9003)
- thermopane glass
- color of the base black (RAL 9005)
- flat front bumper; in module TG flat front and side bumper
- in module TG sidewalls integrated

OPTIONS

- sidewalls
- LEDit lighting



Imja WNIJ-14 2500 CSP



AVAILABLE MODULES

1875 2500
1450G

PLUG-IN → ISLANDS

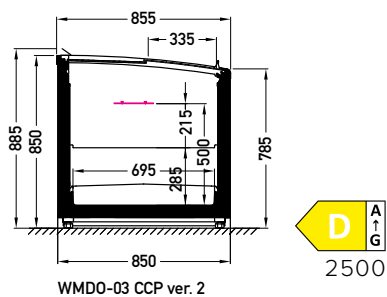
Dolomiti WMDO-03 CCP



STANDARD FEATURES

- working temperature: from -25°C to -21°C
- refrigerant: R290
- hot gas defrosting
- automatic evaporation of condensate
- electronic controller with temperature indicator
- exposition: side and bottom wire shelves, powder coated
- color of the front and base white (RAL 9003)
- flat front bumper; in module TG flat front and side bumper
- lighting: in the handrail, LEDit, CW-2
- integrated sidewalls

Dolomiti WMDO-03 2500 CCP



AVAILABLE MODULES

1850 2100 2500
1850G

Elbrus WNEL-17 CCP



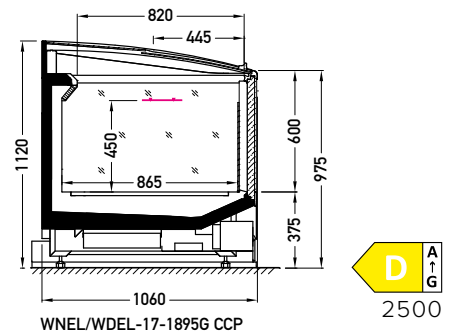
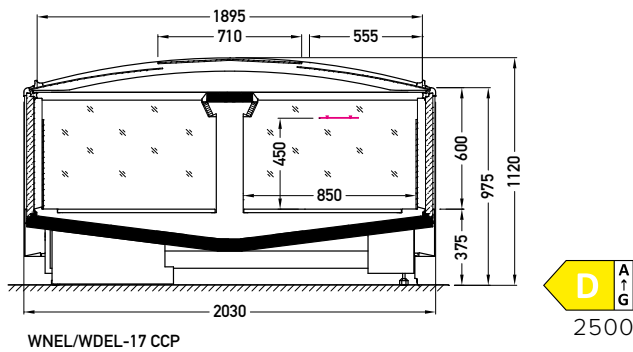
STANDARD FEATURES

- working temperature: from -25°C to -21°C
- refrigerant: R290
- electrical defrosting
- automatic evaporation of condensate
- electronic controller with temperature indicator
- exposition: zinc-plated steel, powder coated in white (RAL 9003)
- thermopane glass (4 side glass)
- color of the base black (RAL 9005)

OPTIONS

- sidewalls
- LEDit lighting

Elbrus WNEL-17 2500 CCP + 1895G CCP



AVAILABLE MODULES

2500 3750
1895G

PLUG-IN → ISLANDS

Elbrus WNEL-27 CCP



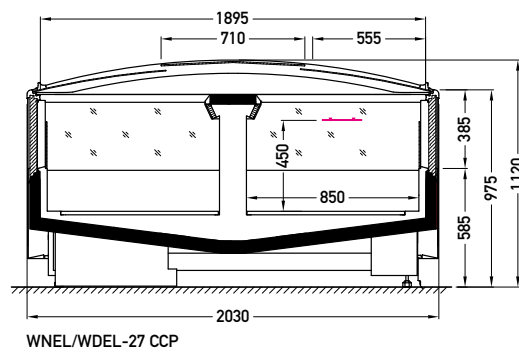
STANDARD FEATURES

- working temperature: from -25°C to -21°C
- refrigerant: R290
- electrical defrosting
- automatic evaporation of condensate
- electronic controller with temperature indicator
- exposition: zinc-plated steel, powder coated in white (RAL 9003)
- thermopane glass (4 side glass)
- color of the base black (RAL 9005)

OPTIONS

- sidewalls
- LED lighting

Elbrus WNEL-27 2500 CCP



E A
↑
G
2500

AVAILABLE MODULES

2500 3750
1895G



Cabinets

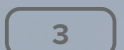
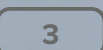
PLUG-IN

It is typically people with busy lifestyles who are shopping for frozen products. Good arrangement of a store can save a lot of time while shopping. That is why design of our cabinets is about good visibility and ergonomics. Easy to choose – easy to reach. But when there is no perfect match for interior requirements, then the only solution is to mix. Our line of mix cabinets is a customized solution, so you do not have to compromise anymore – you just have a broad range of equipment to choose from.

Designed for natural
(hydrocarbons) refrigerants



GLOBAL WARMING
POTENTIAL (AR4)



Wetar SNWE-02 DTO



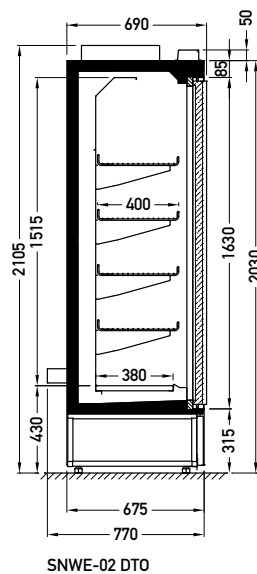
STANDARD FEATURES

- working temperature: from -25°C to -21°C
- refrigerant: R290
- hot gas defrosting
- automatic evaporation of condensate
- electronic controller with temperature indicator
- exposition: zinc-plated steel, powder coated in white (RAL 9003)
- 4 rows of suspended shelves, on shelves and on air inlet price holders 39 mm
- lighting: vertical in doors frame, LEDit CW-2
- framed doors without heaters

OPTIONS

- sidewalls

Wetar SNWE-02 1564 DTO



D A
↑
G
2342

AVAILABLE MODULES

0795 1564 2342

Wetar SNWE-04 DTO



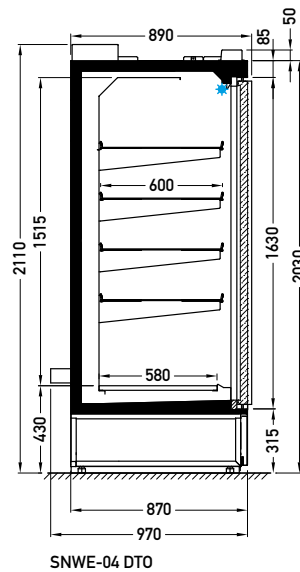
STANDARD FEATURES

- working temperature: from -25°C to -21°C
- refrigerant: R290
- hot gas defrosting
- automatic evaporation of condensate
- electronic controller with temperature indicator
- exposition: zinc-plated steel, powder coated in white (RAL 9003)
- 4 rows of suspended shelves, on shelves and on air inlet price holders 39 mm
- lighting: vertical in doors frame, LEDit CW-2
- framed doors without heaters

OPTIONS

- sidewalls

Wetar SNWE-04 2342 DTO



D A
↑
G
2342

AVAILABLE MODULES

1564 2342

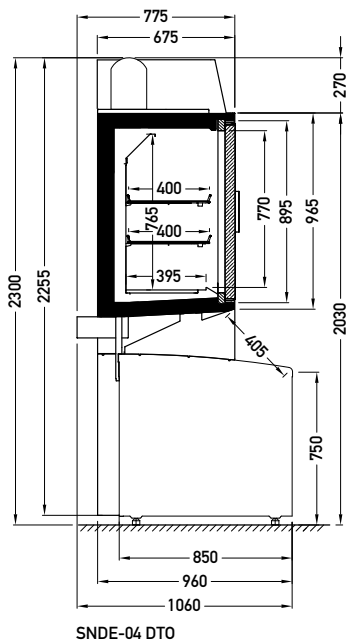
Denali SNDE-04/05 DTO



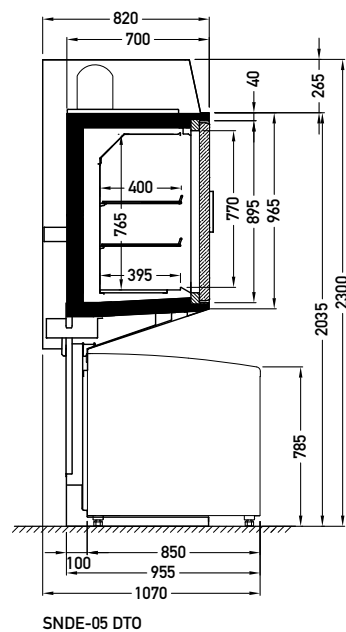
STANDARD FEATURES

- working temperature: from -25°C to -21°C
- refrigerant: R290
- hot gas defrosting
- automatic evaporation of condensate
- electronic controller with temperature indicator
- **energy saving fans**
- exposition: zinc-plated steel, powder coated in white (RAL 9003)
- 2 rows of suspended shelves, on shelves and on air inlet price holders 39 mm
- **lighting: vertical in doors frame, LEDit CW-2**
- framed doors without heaters
- sidewalls integrated
- SNDE-05 with inverter compressor
- SNDE-05 unit on the steel construction – for use with any freezer island
- SNDE-04 for use with WMDO-03 and WNIJ 07

Denali SNDE-05 2500 DTO



D A
G
2500



D A
G
2500

AVAILABLE MODULES

2100 2500

Glacier SNGL-L DTO



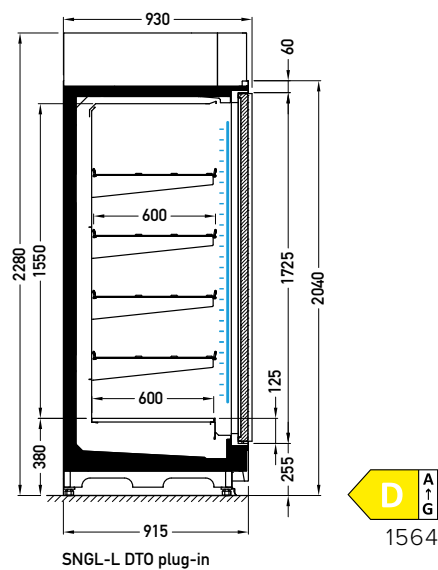
STANDARD FEATURES

- working temperature: from -25°C to -21°C
- refrigerant: R290
- hot gas defrosting
- automatic evaporation of condensate
- electronic controller with temperature indicator
- exposition: zinc-plated steel, powder coated in white (RAL 9003)
- 4 rows of suspended wire shelves,
- lighting: vertical in doors frame, LEDit CW-2
- framed doors without heaters

OPTIONS

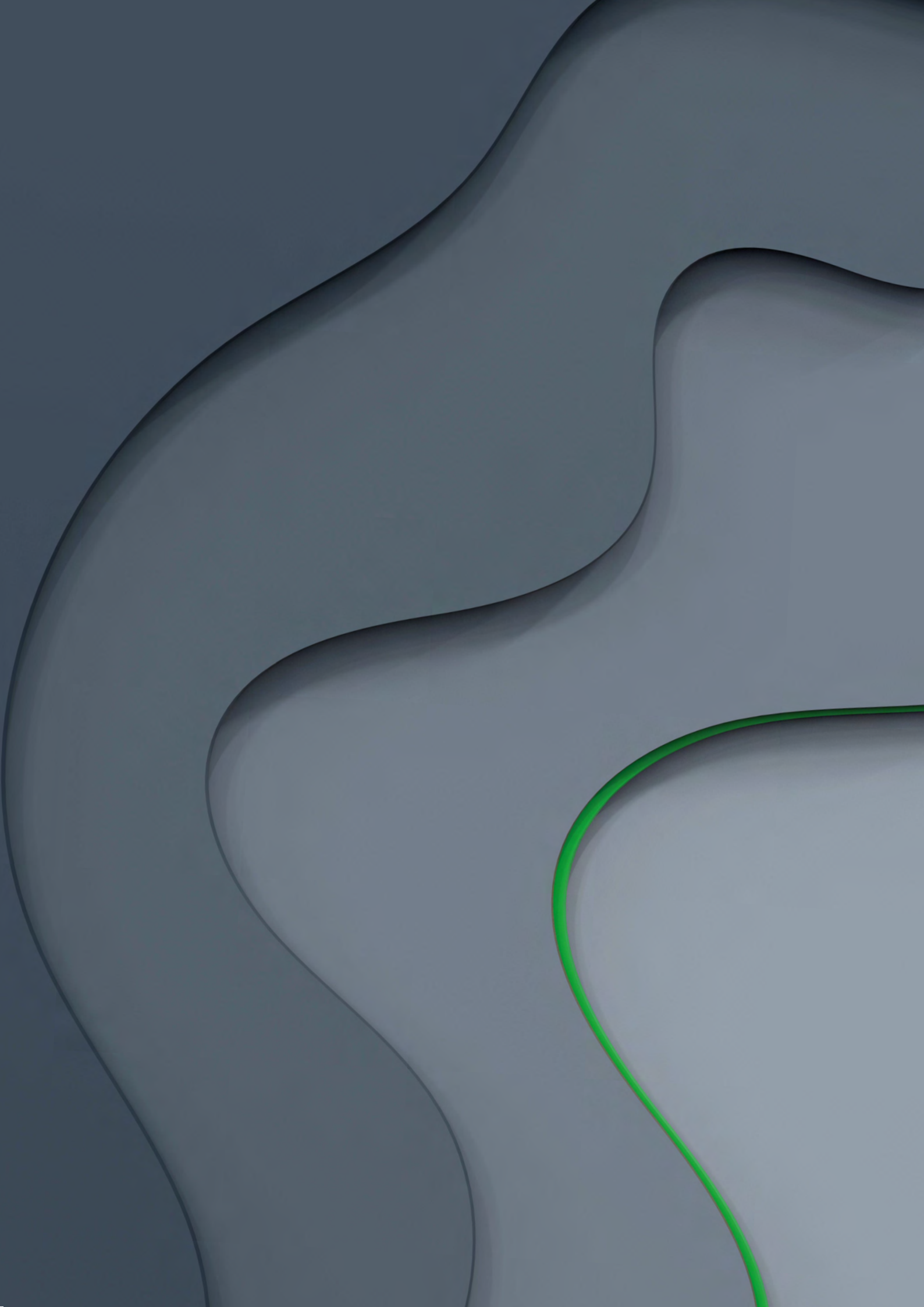
- sidewalls

Glacier SNGL-L3 2342 DTO



AVAILABLE MODULES

L2-1564 **L3-2342**
1875G



Promotion

PLUG-IN

Promotional equipment places your products within arm's reach. They are designed to improve impulse purchase, combining small size with huge selling power. Good product display, high mobility and clever design of equipment, makes promotions more effective.

Designed for natural
(hydrocarbons) refrigerants



GLOBAL WARMING
POTENTIAL (AR4)

3

3

PLUG-IN → PROMOTION

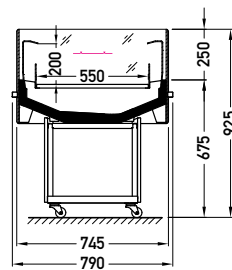
Fiji LDFI-13 BSA



Fiji LDFI-13 0900 BSA

STANDARD FEATURES

- working temperature: CSS from 0°C to 2°C; BCA from 2°C to 4°C
- refrigerant: R290
- natural defrosting
- automatic evaporation of condensate
- electronic controller with temperature indicator
- exposition: zinc-plated steel, powder coated in white (RAL 9003)
- inox square bumper 25 x 25 mm
- color of the base black (RAL 9005)
- sidewalls glass with black/grey silk screen painting
- on wheels



LDFI-13* BSA

0700

AVAILABLE MODULES

0700 0900

PLUG-IN → PROMOTION

Fiji LDFI-14

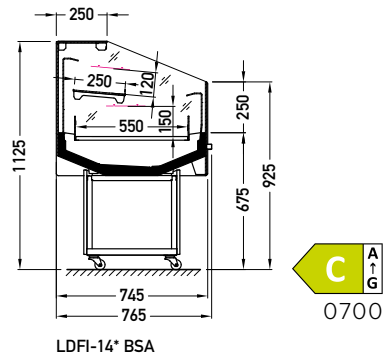
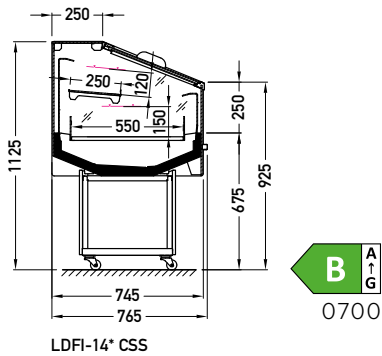
CSS | BCA



STANDARD FEATURES

- working temperature: from 2°C to 4°C for BCA, from 0°C to 2°C for CSS
- refrigerant: R290
- natural defrosting
- automatic evaporation of condensate
- electronic controller with temperature indicator
- exposition: zinc-plated steel, powder coated in white (RAL 9003)
- inox square bumper 25 x 25 mm
- color of the base black (RAL 9005)
- sidewalls glass with black/grey silk screen painting
- on wheels

Fiji LDFI-14 0900 CSS



AVAILABLE MODULES

0700 0900

PLUG-IN → PROMOTION

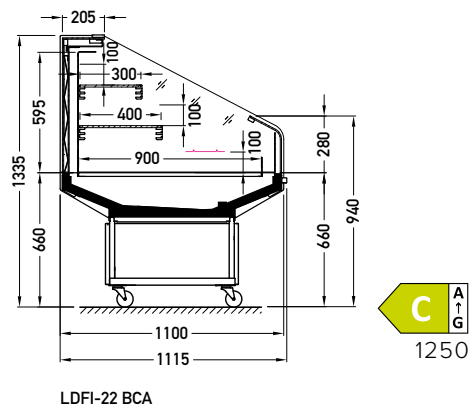
Fiji LDFI-22 BCA



STANDARD FEATURES

- working temperature: from 2°C to 4°C
- refrigerant: R290
- electrical defrosting
- automatic evaporation of condensate
- electronic controller with temperature indicator
- exposition: zinc-plated steel, powder coated in white (RAL 9003)
- 2 glass shelves
- inox square bumper 25 x 25 mm
- color of the base black (RAL 9005)
- sidewalls, back and air flow channels made of perspex
- on wheels

Fiji LDFI-22 1250 BCA



AVAILABLE MODULES

1250

PLUG-IN → PROMOTION

Fiji LDFI-25

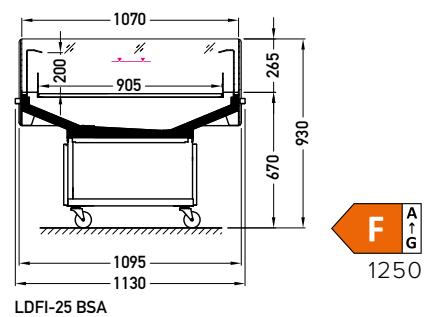
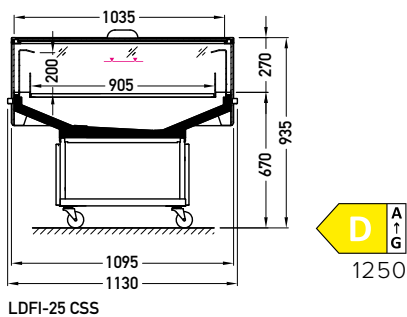
CSS | BSA

STANDARD FEATURES

- working temperature: for BSA and CSS with integrated sidewalls version from 0°C to 2°C; for BSA version with single glass sidewalls from 2°C to 4°C
- refrigerant: R290
- electrical defrosting
- automatic evaporation of condensate
- electronic controller with temperature indicator
- exposition: zinc-plated steel, powder coated in white (RAL 9003)
- inox square bumper 25 x 25 mm
- color of the base black (RAL 9005)
- sidewalls: integrated glass with black/grey silk screen painting; single glass without silk screen
- on wheels



Fiji LDFI-25 1250 CSS



AVAILABLE MODULES

CSS	1000	1250	1600
BSA	1000	1250	1600

PLUG-IN → PROMOTION

Fiji LDFI-28

CSS | BSA



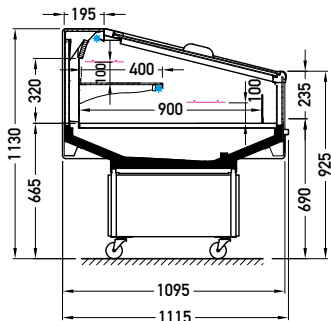
STANDARD FEATURES

- working temperature: from 0°C to 2°C
- refrigerant: R290
- electrical defrosting
- automatic evaporation of condensate
- electronic controller with temperature indicator
- **energy saving fans**
- exposition: zinc-plated steel, powder coated in white (RAL 9003)
- inox square bumper 25 x 25 mm
- colour of the base black (RAL 9005)
- sidewalls glass with black/ grey screen printing
- on wheels

OPTIONS

- LEDit lighting

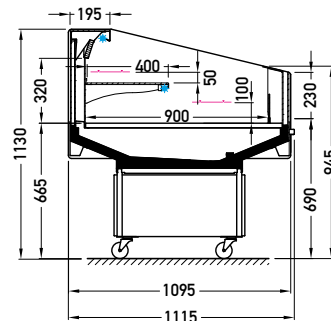
Fiji LDFI-28 1250 CSS



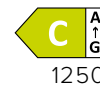
LDFI-28 CSS 3M2



1250



LDFI-28 BSA 3M2



1250

AVAILABLE MODULES

1250 1600

PLUG-IN → PROMOTION

Fiji LDFI-29

CSS | BSA



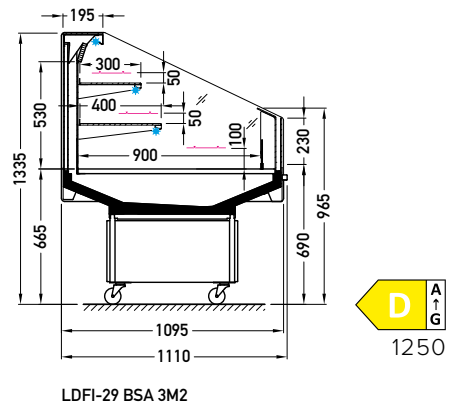
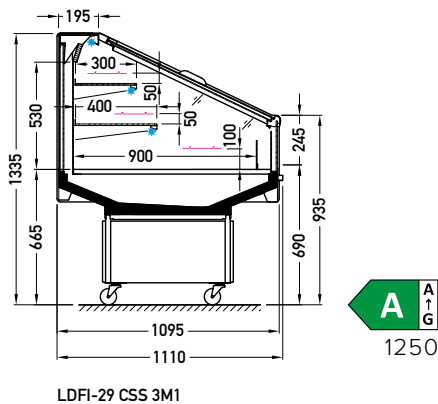
STANDARD FEATURES

- working temperature: from 2°C to 4°C for BSA, from 0°C to 2°C for CSS
- refrigerant: R290
- electrical defrosting
- automatic evaporation of condensate
- electronic controller with temperature indicator
- **energy saving fans**
- exposition: zinc-plated steel, powder coated in white (RAL 9003)
- inox square bumper 25 x 25 mm
- colour of the base black (RAL 9005)
- sidewalls glass with black/ grey screen printing
- on wheels

OPTIONS

- LEDit lighting

Fiji LDFI-29 1250 BSA



AVAILABLE MODULES

1250 1600

Fiji LDFI-30/31/32

BSA



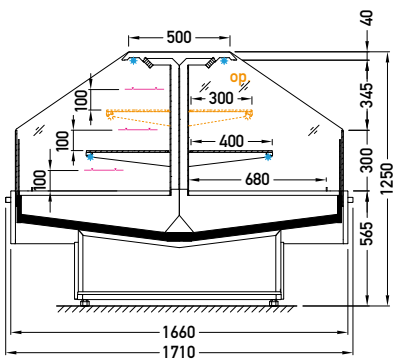
STANDARD FEATURES

- double devices (two evaporators)
- refrigerant: R290
- working temperature: from 2°C to 4°C
- electrical defrosting
- automatic evaporation of condensate
- electronic controller with temperature indicator
- exposition: zinc-plated steel, powder coated in white (RAL 9003)
- inox square bumper 25 x 25 mm
- color of the base black (RAL 9005)
- sidewalls glass

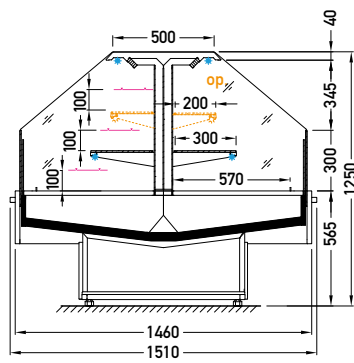
OPTIONS

- LEDit lighting

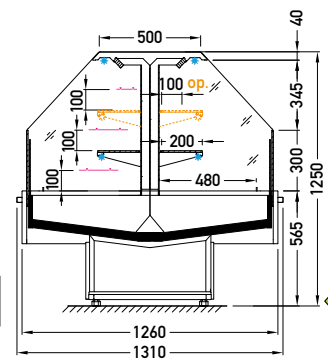
FIJI LDFI-31 1600 BSA



LDFI-32



LDFI-31



LDFI-30



AVAILABLE MODULES

LDFI-30/31/32 1250 1875 2500





Pastry Line

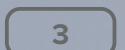
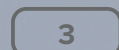
PLUG-IN

Celebrating special occasions. Birthday cake for your toddler. Sweet surprise for your sweetheart. Christmas cake, glazed gingerbreads, treats for special moments. Display of these special goods must be perfect. That's why our pastry line is an elegant combination of perfect lighting, transparent clear glass and elegant design.

Designed for natural
(hydrocarbons) refrigerants



GLOBAL WARMING
POTENTIAL (AR4)



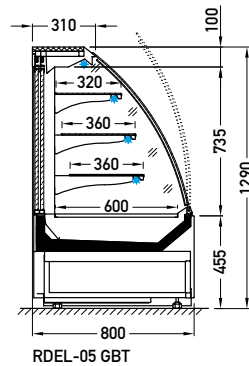
Elegant RDEL-05 GBT



STANDARD FEATURES

- working temperature – straight modules from 0°C to 2°C; corner NW45 from 2°C to 4°C; corner NZ45 from 4°C to 8°C
- refrigerant: R290
- electrical defrosting
- automatic evaporation of condensate
- electronic controller with temperature indicator
- exposition: 3 suspended glass shelves + bottom made of powder coated, zinc-coated metal plate
- shelves support and bottom shelf in grey color RAL 7004
- back doors, sliding, double glazed (in corner and 0600 modules hinged door)
- lighting – top and each shelf – energy-saving, LEDit, WW-2
- sidewalls integrated with thermopane glass, with silk-screen painting

Elegant RDEL-05 1400 GBT



B
A ↑
G

1400

AVAILABLE MODULES

0600 0900 1400
NW45 NZ45

PLUG-IN → PASTRY LINE

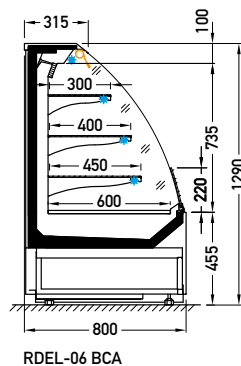
Elegant RDEL-06 *self service* BCA



STANDARD FEATURES

- working temperature: from 2°C to 4°C
- refrigerant: R290
- electrical defrosting
- automatic evaporation of condensate
- electronic controller with temperature indicator
- exposition: 3 suspended glass shelves + bottom made of powder coated, zinc-coated metal plate
- shelves support and bottom shelf in grey color RAL 7004
- lighting – top and each shelf – energy-saving, LEDit, WW-2
- sidewalls integrated with thermopane glass, with silk-screen painting
- mechanical night blind

Elegant RDEL-06 1400 BCA



E A
↑
G
1400

AVAILABLE MODULES

0600 0900 1200 1400

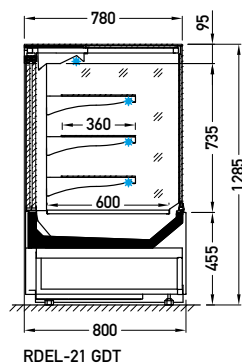
Elegant RDEL-21 GDT



STANDARD FEATURES

- working temperature – straight modules from 2°C to 4°C; corner NZ45 from 2°C to 4°C; corner NZ90 from 4°C to 8°C;
- refrigerant: R290
- electrical defrosting
- automatic evaporation of condensate
- electronic controller with temperature indicator
- exposition: 3 suspended glass shelves + bottom made of powder coated, zinc-coated metal plate
- shelves support and bottom shelf in grey color RAL 7004
- back doors, sliding, double glazed (in corner and 0600 modules hinged door)
- lighting – top and each shelf – energy-saving, LEDit, WW-2
- sidewalls integrated with thermopane glass, with silk-screen painting

Elegant RDEL-21 1400 GDT



B A ↑ G
0600

AVAILABLE MODULES

0600 0900 1400
NZ45 NZ90

PLUG-IN → PASTRY LINE

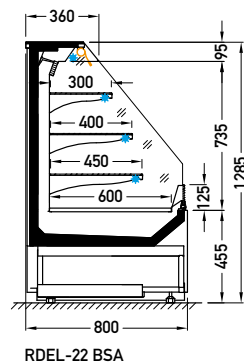
Elegant RDEL-22 *self service* BSA



STANDARD FEATURES

- working temperature: from 2°C to 4°C
- refrigerant: R290
- electrical defrosting
- automatic evaporation of condensate
- electronic controller with temperature indicator
- exposition: 3 suspended glass shelves + bottom made of powder coated, zinc-coated metal plate
- shelves support and bottom shelf in grey color RAL 7004
- lighting – top and each shelf – energy-saving, LEDit, WW-2
- sidewalls integrated with thermopane glass, with silk-screen painting
- mechanical night blind

Elegant RDEL-22 1400 BSA



E A ↑ G
0900

AVAILABLE MODULES

0600 0900 1400

PLUG-IN → PASTRY LINE

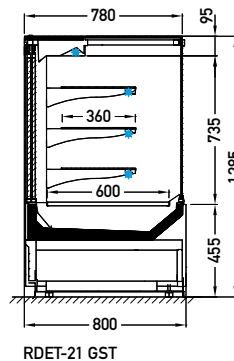
Etna RDET-21 GST



STANDARD FEATURES

- working temperature: from 4°C to 8°C
- refrigerant: R290
- electrical defrosting
- automatic evaporation of condensate
- electronic controller with temperature indicator
- exposition: 3 suspended glass shelves + bottom made of powder coated, zinc-coated metal plate
- shelves support and bottom shelf in grey color RAL 7004
- back doors, sliding, double glazed
- lighting – top and each shelf – energy-saving, LEDit, WW-2
- sidewalls integrated glass, with silk-screen painting

Etna RDET-21 1400 GST



C
A
↑
G
1400

AVAILABLE MODULES

0900 1400





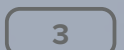
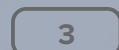
Counters

PLUG-IN

We focus not only on the display of the product, but also ergonomic and multifunctional use. We have created better conditions for product storage, easier cleaning and flexibility in changing the product from with service to self-service.

Designed for natural
(hydrocarbons) refrigerants

GLOBAL WARMING
POTENTIAL (AR4)



Grazia LDGR-08

BCA | GCL



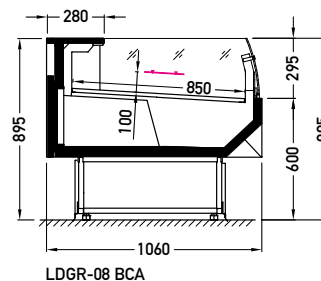
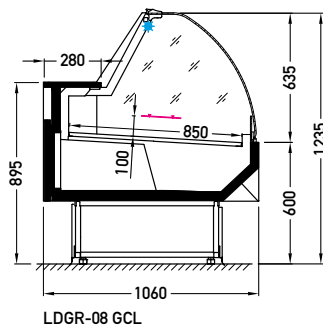
STANDARD FEATURES

- working temperature – straight module and corners from 0°C to 2°C
- refrigerant: R290
- electrical defrosting
- automatic evaporation of condensate
- electronic controller with temperature indicator
- back doors – quantity according to the module
- exposition: zinc-plated steel, powder coated in white (RAL 9003)
- storage: steel coated in grey
- worktop: linen stainless steel
- color of the base black (RAL 9005)
- perspex covers – 1250, 1875, 2500, 3750

OPTIONS

- LEDit lighting
- PVC floor profiles
- bumper
- sidewalls

Grazia LDGR-08 2500 GCL



AVAILABLE MODULES

BCA GCL	1250	1875	2500	3750
	NW45			
GCL	NZ45			

Grazia LDGR-09

GCL



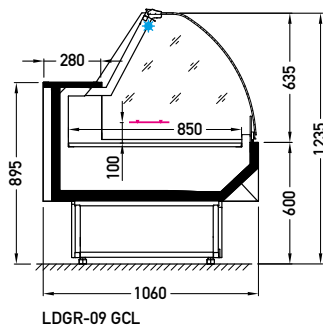
STANDARD FEATURES

- working temperature – straight module and corners from 0°C to 2°C
- refrigerant: R290
- electrical defrosting
- automatic evaporation of condensate
- electronic controller with temperature indicator
- exposition: zinc-plated steel, powder coated in white (RAL 9003)
- worktop: linen stainless steel
- color of the base black (RAL 9005)
- perspex covers – 1250, 1875, 2500, 3750

OPTIONS

- LEDit lighting
- PVC floor profiles
- bumper
- sidewalls

Grazia LDGR-09 2500 GCL



AVAILABLE MODULES

1250 1875 2500 3750

Grazia LDGR-28

GSL | BSA



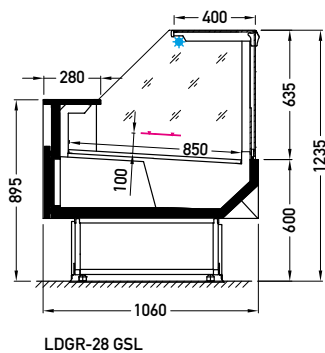
STANDARD FEATURES

- working temperature – straight module and corners from 0°C to 2°C
- refrigerant: R290
- electrical defrosting
- automatic evaporation of condensate
- electronic controller with temperature indicator
- back doors – quantity according to the module
- exposition: zinc-plated steel, powder coated in white (RAL 9003)
- storage: steel coated in grey
- worktop: linen stainless steel
- color of the base black (RAL 9005)
- perspex covers – 1250, 1875, 2500, 3750

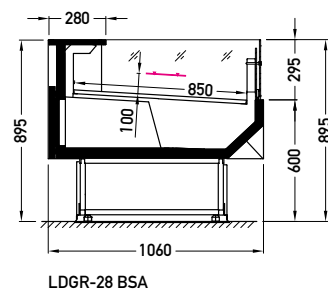
OPTIONS

- LEDit lighting
- PVC floor profiles
- bumper
- sidewalls

Grazia LDGR-28 2500 GSL



E A ↑ G
1250



E A ↑ G
1250

AVAILABLE MODULES

BSA	GSL	1250	1875	2500	3750
		NW45			
GSL		NZ45 NZ90			

Grazia LDGR-29

GSL | BSA



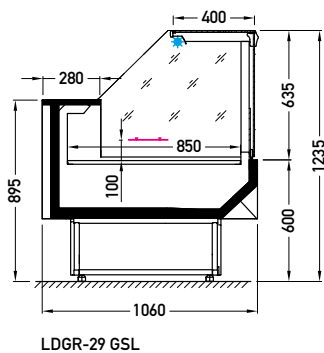
STANDARD FEATURES

- working temperature – straight module and corners from 0°C to 2°C
- refrigerant: R290
- electrical defrosting
- automatic evaporation of condensate
- electronic controller with temperature indicator
- exposition: zinc-plated steel, powder coated in white (RAL 9003)
- worktop: linen stainless steel
- color of the base black (RAL 9005)
- perspex covers – 1250, 1875, 2500, 3750

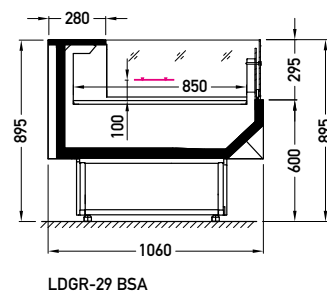
OPTIONS

- LEDit lighting
- PVC floor profiles
- bumper
- sidewalls

Grazia LDGR-29 2500 GSL



D A
G
1250



E A
G
1250

AVAILABLE MODULES

BSA	GSL	1250	1875	2500	3750
		NW45			
GSL		NZ45	NZ90		

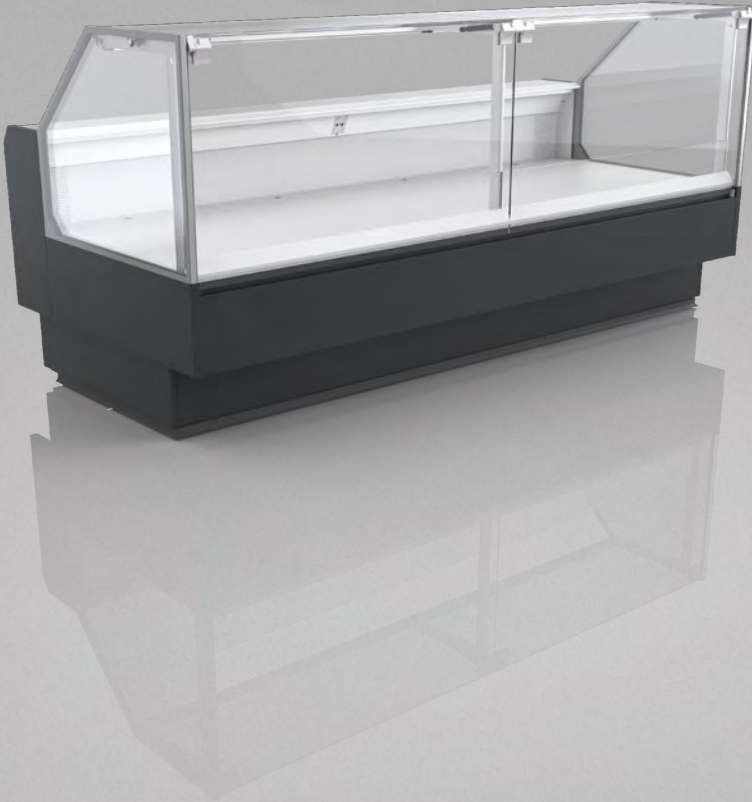
Lingtren LDLI-37 GSL

STANDARD FEATURES

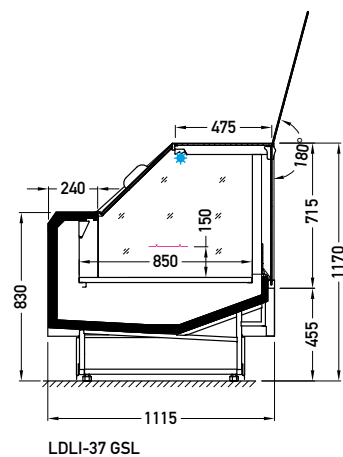
- working temperature: from 0°C to 2°C
- refrigerant: R290
- natural defrosting
- automatic evaporation of condensate
- electronic controller with temperature indicator
- exposition: zinc-plated steel, powder coated in white (RAL 9003)
- worktop: linen stainless steel

OPTIONS

- PVC floor profiles
- bumper
- sliding back glass doors
- sidewalls



Lingtren LDLI-37 2500 GSL



D A
t
G
2500

AVAILABLE MODULES








1250 1875 2500 3750



Energy efficiency classes

The energy efficiency class of a refrigerating appliance with a direct sales function shall be determined on the basis of its EEI as set out in Table.

Energy efficiency classes of refrigerating appliances with a direct sales function

ENERGY EFFICIENCY CLASS	EEI
 A	EEI < 10
 B	10 ≤ EEI < 20
 C	20 ≤ EEI < 35
 D	35 ≤ EEI < 50
 E	50 ≤ EEI < 65
 F	65 ≤ EEI < 80
 G	EEI ≥ 80

Designation of the energy efficiency class is dedicated to a particular products, which are presented on each page of the catalogue. Indicated energy efficiency class depends on a module type, equipment, glassing version and type of a refrigerant. Amendment of each of the said parameters may cause amendment of the energy efficiency class. Contact the manufacturer to acknowledge the energy efficiency class for the product with different parameters to those presented in the catalogue.



Products shown in the catalogue are just examples and do not constitute an offer as such.
The manufacturer reserves the right to alter the features and technical specifications of its products.
If it is not clearly defined temperature ranges presented in this document are for shop conditions
(20C/50RH).





Headquarter / Factory: Warszowice, ul. Gajowa 5, Poland
Factory: Żory, al. Jana Pawła II 46, Poland
Contact: +48 32 494 00 00, info@jbg2.com

jbg2.com